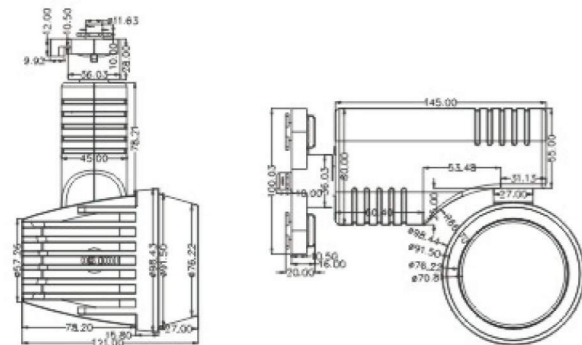


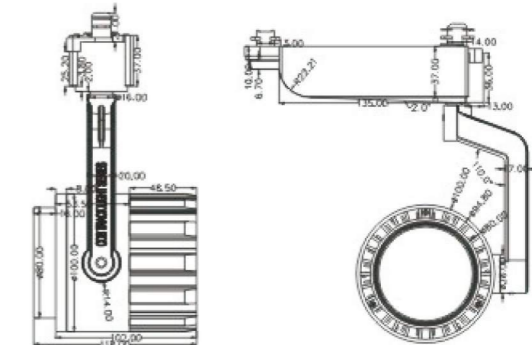
10W LED COB Tracklight

Item No.:G10011610
Power:10W
Size:L118*Φ100mm
Chips:Epistar/Bridgelux
CRI:≥80Ra/90Ra
Luminous Flux:800-900lm
Beam Angle:15°
Track Rail:2/4 wire
Input Voltage:AC85-265V



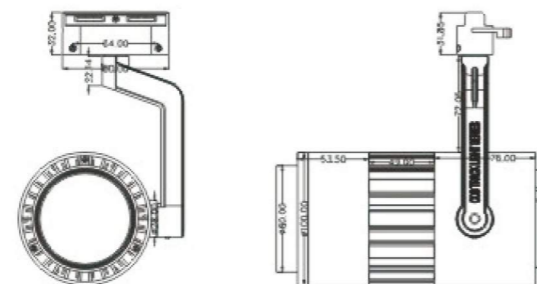
20W LED COB Tracklight

Item No.:G10012320
Power:20W
Size:L120*Φ100mm
Chips:Epistar/Bridgelux
CRI:≥80Ra/90Ra
Luminous Flux:1600-1800lm
Beam Angle:24°
Track Rail:2/3/4 wire
Input Voltage:AC85-265V



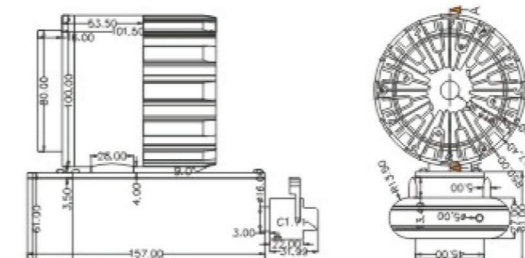
12W LED COB Tracklight

Item No.:G10012212
Power:12W
Size:L175*Φ102mm
Chips:Epistar/Bridgelux
CRI:≥80Ra/90Ra
Luminous Flux:960-1080lm
Beam Angle:24°
Track Rail:2/3/4 wire
Input Voltage:AC85-265V



20W LED COB Tracklight

Item No.:G10012620
Power:20W
Size:L120*Φ100mm
Chips:Epistar/Bridgelux
CRI:≥80Ra/90Ra
Luminous Flux:1600-1800lm
Beam Angle:24°
Track Rail:2/3/4 wire
Input Voltage:AC85-265V



Mainline : +65 9336 0324

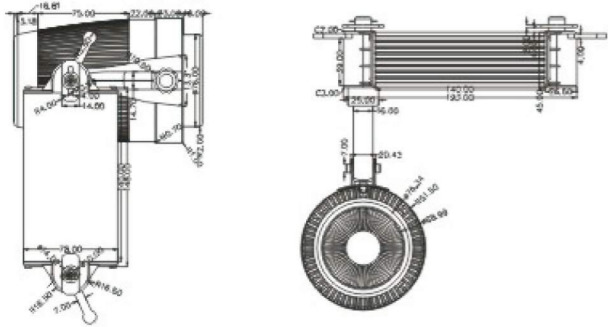
Email : sales@illuminatingasia.com

Website : www.illuminatingasiaspl.blogspot.com

Corporate Office: 8 Cross Street #28-32, PWC Building, S048424 | Service Centre : Blk 1014 Geylang East Avenue 3, #07-238 S389729 (Beside Paya Lebar MRT)

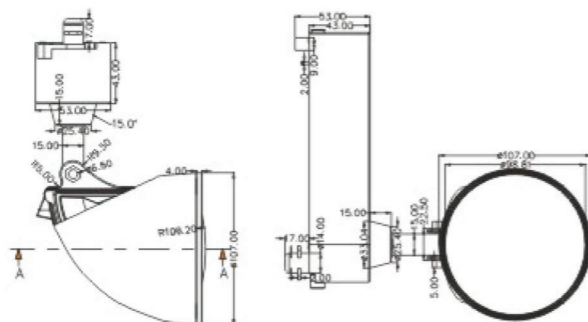
20W LED COB Tracklight

Item No.:G10511420
Power:20W
Size:L156*Φ105mm
Chips:Epistar/ Bridgelux
CRI:≥80Ra/90Ra
Luminous Flux:1600-1800lm
Beam Angle:24°
Track Rail:2/4 wire
Input VoltageAC85-265V



20W LED COB Tracklight

Item No.:G10712920
Power:20W
Size:L125*Φ107mm
Chips:Epistar/ Bridgelux
CRI:≥80Ra/90Ra
Luminous Flux:1600-1800lm
Beam Angle:24°
Track Rail:2/3/4 wire
Input VoltageAC85-265V



Mainline : +65 9336 0324
Email : sales@illuminatingasia.com
Website : www.illuminatingasiaspl.blogspot.com

Corporate Office: 8 Cross Street #28-32, PWC Building, S048424 | Service Centre : Blk 1014 Geylang East Avenue 3, #07-238 S389729 (Beside Paya Lebar MRT)

30W LED COB Tracklight

Item No.:G12011530
Power:30W
Size:L125*Φ120MM
Chips:Epistar/Bridgelux
CRI:≥80Ra/90Ra
Luminous Flux:2400-2700lm
Beam Angle:30°
track rail:2/3/4 wire
Input Voltage:AC85-265V

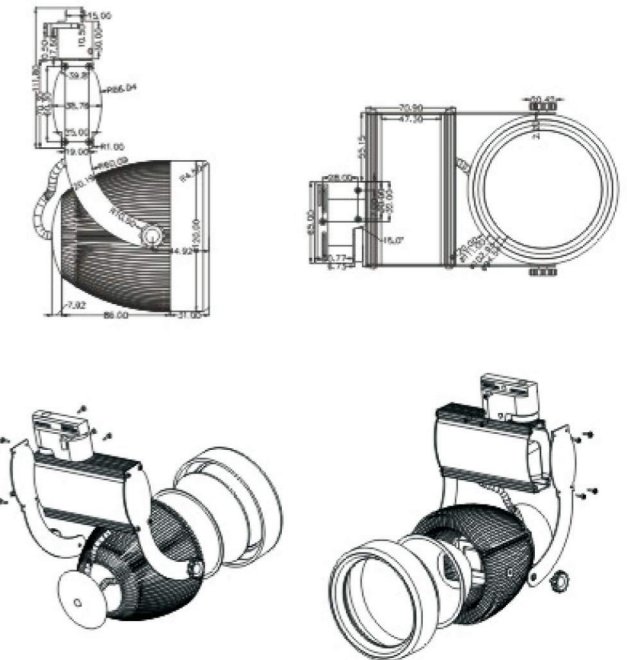
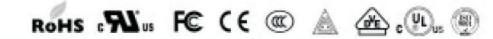


Features

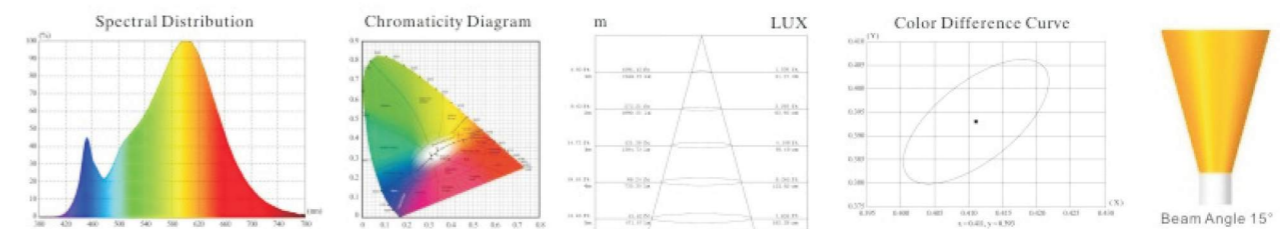
Suitable for shopping mall(clothing shop, furniture shop, brand store and etc), auto showroom, jewelry and ornaments shop, star hotels, brand clothing, top grade club, museum, chain department store, brand business lobby, professional window, counter and some main lighting places, it is the ideal illuminant to replace the traditional halogen tungsten lamp and metal halide lamp.



Dimension



Viewing Angle



24W COB LED Downlight

Item No.: T1405624
Power: 24W
Trim Size: 160mm
Cut out: 140mm
Chips: Epistar/Bridgelux
CRI: ≥80Ra/90Ra
Luminous Flux: 1920-2160lm
Beam Angle: 15°/25°
Input Voltage: AC85-265V



Features

LED Down light is a new product based on the application of LED chip on the basis of the incandescent lamp. There are the following advantages compared to the incandescent lamp: energy saving, low carbon, long lifespan, better color rendering and Activated without delay

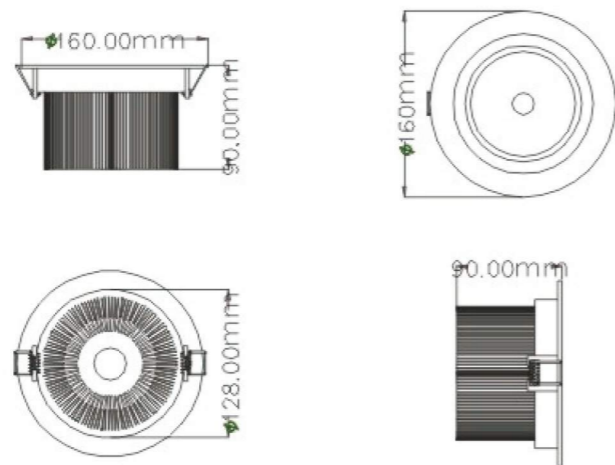
Strong compatibility: The install dimension of the LED down light is fully compatible with the incandescent lamp. No need to change the circuit, use directly with the current electrical voltage when install the down light.

Beautiful appearance for the down light. Keep the integration and perfectness of the Architecture when install the lamp and will not damage the lamp setting. The light is emitted from the inside of the architecture, giving soft and uniform light with no glare.

LED down light is not fragile, recyclable, environment friendly, do not contain mercury and any other hazardous substance, being more environmental and energy saving. It can reduce the emission of carbon dioxide.



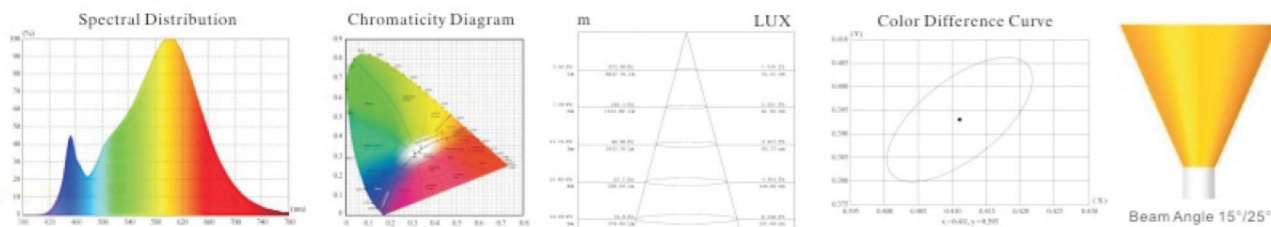
Dimension



Application

Widely used for indoor decoration lighting: home lighting, showcase, restaurant, hotels etc. And for the local lighting: exhibition hall, artistic hall, office and reading room etc. Such as in shopping mall: cashier desk, aisle, shop, elevator. In hotel: reception, lobby, stairs, elevator, restaurant, hotel rooms, internal aisle and toilet

Viewing Angle



Mainline : +65 9336 0324

Email : sales@illuminatingasia.com

Website : www.illuminatingasiapl.blogspot.com

Corporate Office: 8 Cross Street #28-32, PWC Building, S048424 | Service Centre : Blk 1014 Geylang East Avenue 3, #07-238 S389729 (Beside Paya Lebar MRT)

20W COB LED Downlight

Item No.: T14011020
Power: 20W
Trim Size: 157mm
Cut out: 140mm
Chips: Epistar/Bridgelux
CRI: ≥80Ra/90Ra
Luminous Flux: 1600-1800lm
Beam Angle: 24°
Input Voltage: AC85-265V



Features

LED Down light is a new product based on the application of LED chip on the basis of the incandescent lamp. There are the following advantages compared to the incandescent lamp: energy saving, low carbon, long lifespan, better color rendering and Activated without delay

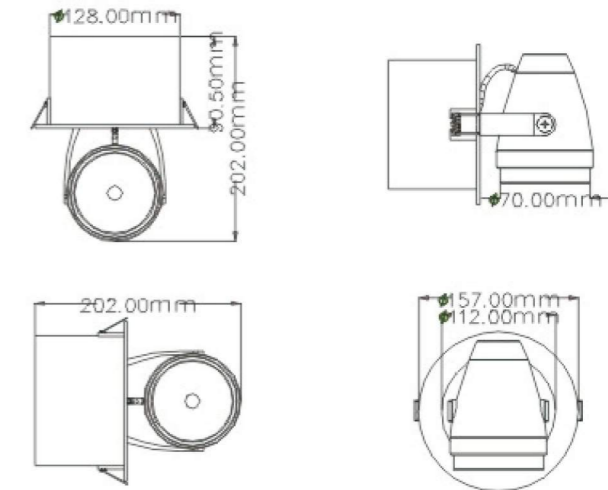
Strong compatibility: The install dimension of the LED down light is fully compatible with the incandescent lamp. No need to change the circuit, use directly with the current electrical voltage when install the down light.

Beautiful appearance for the down light. Keep the integration and perfectness of the Architecture when install the lamp and will not damage the lamp setting. The light is emitted from the inside of the architecture, giving soft and uniform light with no glare.

LED down light is not fragile, recyclable, environment friendly, do not contain mercury and any other hazardous substance, being more environmental and energy saving. It can reduce the emission of carbon dioxide.



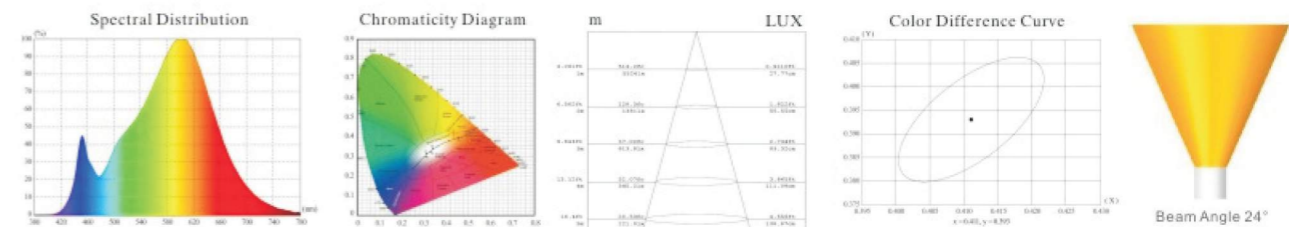
Dimension



Application

Widely used for indoor decoration lighting: home lighting, showcase, restaurant, hotels etc. And for the local lighting: exhibition hall, artistic hall, office and reading room etc. Such as in shopping mall: cashier desk, aisle, shop, elevator. In hotel: reception, lobby, stairs, elevator, restaurant, hotel rooms, internal aisle and toilet

Viewing Angle



20W COB LED Downlight

Item No.: T14511120
 Power: 20W
 Trim Size: 165mm
 Cut out: 145mm
 Chips: Epistar/Bridgelux
 CRI: ≥80Ra/90Ra
 Luminous Flux: 1600-1800lm
 Beam Angle: 24°
 Input Voltage: AC85-265V



Features

LED Down light is a new product based on the application of LED chip on the basis of the incandescent lamp. There are the following advantages compared to the incandescent lamp: energy saving, low carbon, long lifespan, better color rendering and Activated without delay.

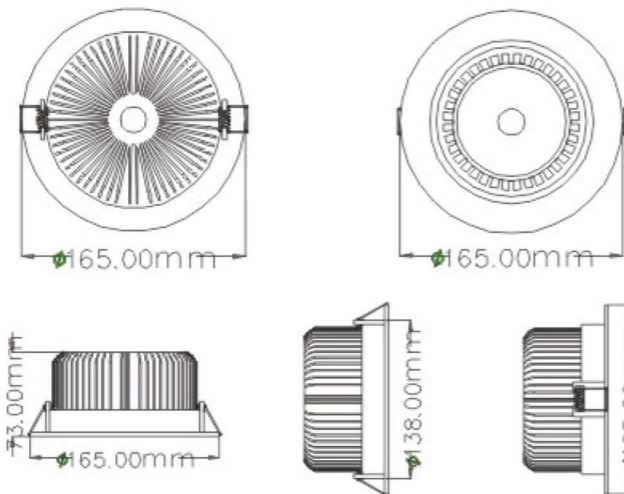
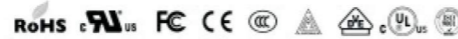
Strong compatibility: The install dimension of the LED down light is fully compatible with the incandescent lamp. No need to change the circuit, use directly with the current electrical voltage when install the down light.

Beautiful appearance for the down light. Keep the integration and perfectness of the Architecture when install the lamp and will not damage the lamp setting. The light is emitted from the inside of the architecture, giving soft and uniform light with no glare.

LED down light is not fragile, recyclable, environment friendly, do not contain mercury and any other hazardous substance, being more environmental and energy saving. It can reduce the emission of carbon dioxide.



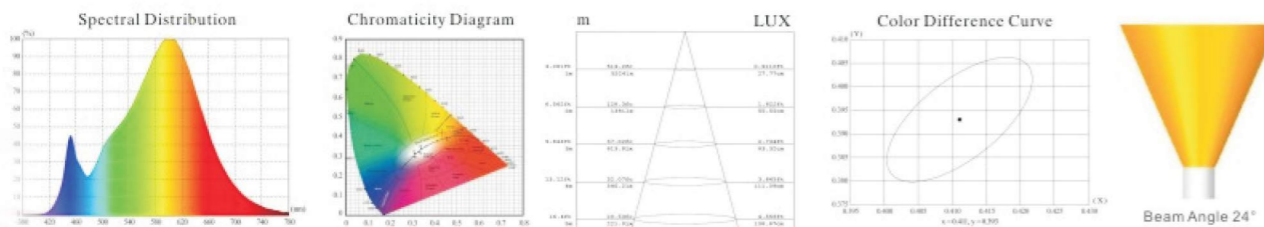
Dimension



Application

Widely used for indoor decoration lighting: home lighting, showcase, restaurant, hotels etc. And for the local lighting: exhibition hall, artistic hall, office and reading room etc. Such as in shopping mall: cashier desk, aisle, shop, elevator. In hotel: reception, lobby, stairs, elevator, restaurant, hotel rooms, internal aisle and toilet.

Viewing Angle



Mainline : +65 9336 0324

Email : sales@illuminatingasia.com

Website : www.illuminatingasiaspl.blogspot.com

Corporate Office: 8 Cross Street #28-32, PWC Building, S048424 | Service Centre : Blk 1014 Geylang East Avenue 3, #07-238 S389729 (Beside Paya Lebar MRT)

30W COB LED Downlight

Item No.: T15013130
 Power: 30W
 Trim Size: 165mm
 Cut out: 155mm
 Chips: Epistar/Bridgelux
 CRI: ≥80Ra/90Ra
 Luminous Flux: 2400-2700lm
 Beam Angle: 24°
 Input Voltage: AC85-265V



Features

LED Down light is a new product based on the application of LED chip on the basis of the incandescent lamp. There are the following advantages compared to the incandescent lamp: energy saving, low carbon, long lifespan, better color rendering and Activated without delay.

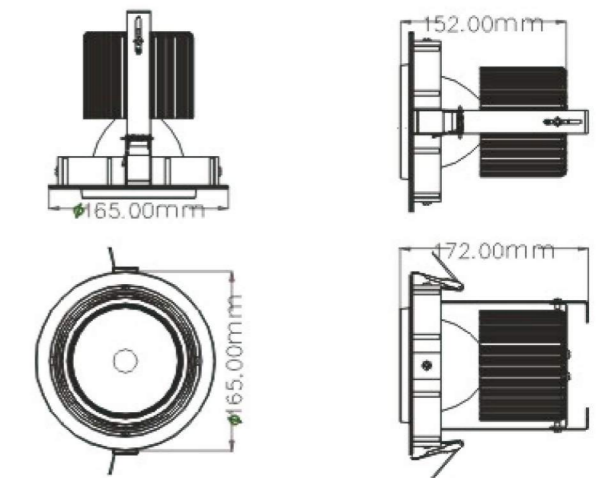
Strong compatibility: The install dimension of the LED down light is fully compatible with the incandescent lamp. No need to change the circuit, use directly with the current electrical voltage when install the down light.

Beautiful appearance for the down light. Keep the integration and perfectness of the Architecture when install the lamp and will not damage the lamp setting. The light is emitted from the inside of the architecture, giving soft and uniform light with no glare.

LED down light is not fragile, recyclable, environment friendly, do not contain mercury and any other hazardous substance, being more environmental and energy saving. It can reduce the emission of carbon dioxide.



Dimension



Application

Widely used for indoor decoration lighting: home lighting, showcase, restaurant, hotels etc. And for the local lighting: exhibition hall, artistic hall, office and reading room etc. Such as in shopping mall: cashier desk, aisle, shop, elevator. In hotel: reception, lobby, stairs, elevator, restaurant, hotel rooms, internal aisle and toilet.

Viewing Angle

