

15W LED COB Tracklight

Item No.:G9313615
Power:15W
Size:L155*Φ93mm
Chips:Epistar/Bridgelux
CRI:≥80Ra/90Ra
Luminous Flux:1200-1350lm
Beam Angle:15°
Track Rail:2/3/4 wire
Input Voltage:AC85-265V

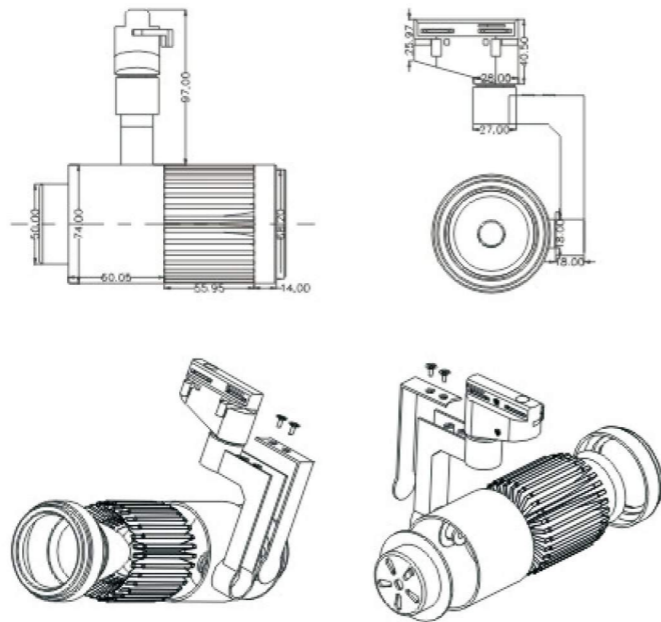


Features

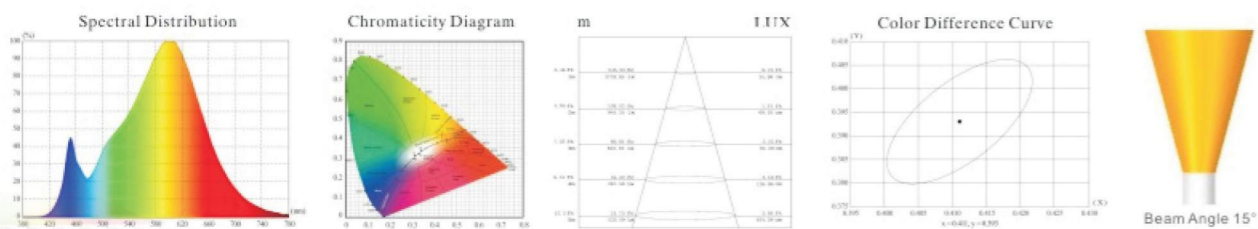
Suitable for shopping mall (clothing shop, furniture shop, brand store and etc), auto showroom, jewelry and ornaments shop, star hotels, brand clothing, top grade club, museum, chain department store, brand business lobby, professional window, counter and some main lighting places, it is the ideal illuminant to replace the traditional halogen tungsten lamp and metal halide lamp.



Dimension



Viewing Angle



Mainline : +65 9336 0324

Email : sales@illuminatingasia.com

Website : www.illuminatingasiapl.blogspot.com

Corporate Office: 8 Cross Street #28-32, PWC Building, S048424 | Service Centre : Blk 1014 Geylang East Avenue 3, #07-238 S389729 (Beside Paya Lebar MRT)

5W LED COB Tracklight

Item No.:G7413405
Power:5W
Size:L87*Φ74mm
Chips:Epistar/Bridgelux
CRI:≥80Ra/90Ra
Luminous Flux:400-450lm
Beam Angle:15°
Track Rail:2/3/4 wire
Input Voltage:AC85-265V

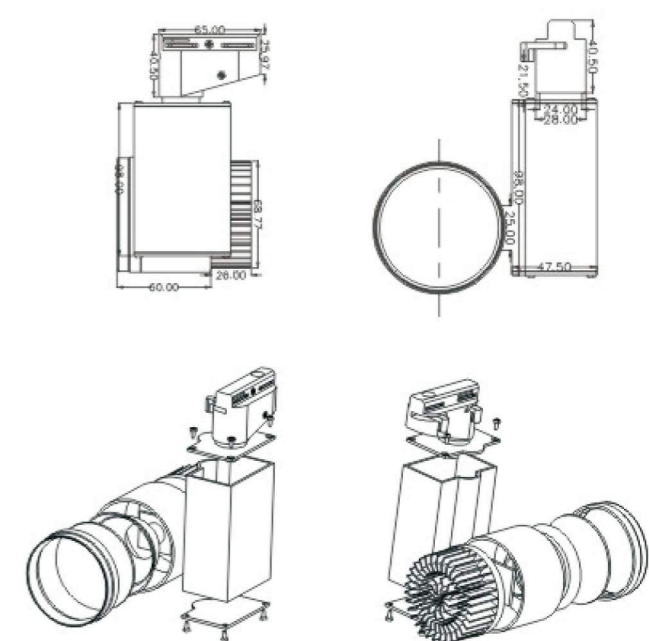


Features

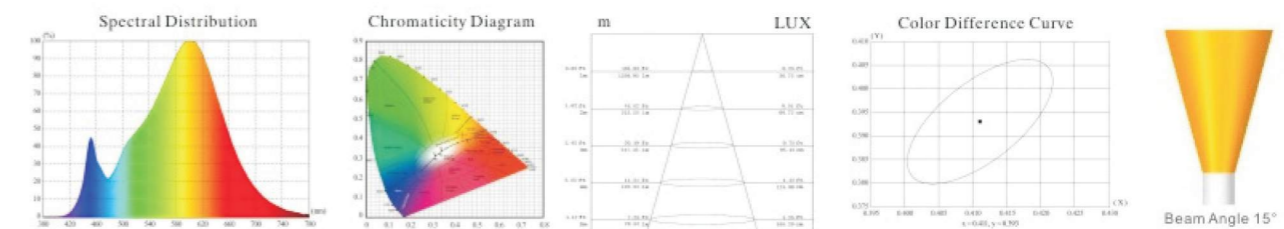
Suitable for shopping mall (clothing shop, furniture shop, brand store and etc), auto showroom, jewelry and ornaments shop, star hotels, brand clothing, top grade club, museum, chain department store, brand business lobby, professional window, counter and some main lighting places, it is the ideal illuminant to replace the traditional halogen tungsten lamp and metal halide lamp.



Dimension



Viewing Angle



30W LED COB Tracklight

Item No.:G10012530
Power:30W
Size:L135*Φ100mm
Chips:Epistar/Bridgelux
CRI:≥80Ra/90Ra
Luminous Flux:2400-2700lm
Beam Angle:24°
Track Rail:2/3/4 wire
Input Voltage:AC85-265V

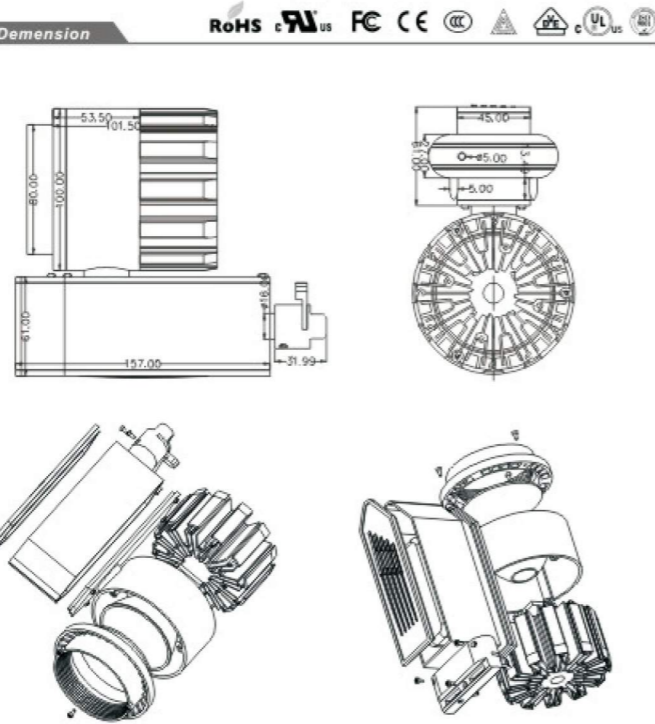


Features

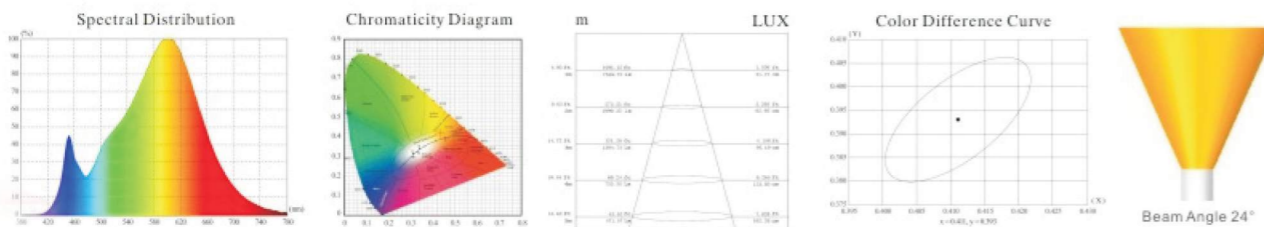
Suitable for shopping mall(clothing shop, furniture shop, brand store and etc), auto showroom, jewelry and ornaments shop, star hotels, brand clothing, top grade club, museum, chain department store, brand business lobby, professional window, counter and some main lighting places, it is the ideal illuminant to replace the traditional halogen tungsten lamp and metal halide lamp.



Dimension



Viewing Angle



Mainline : +65 9336 0324

Email : sales@illuminatingasia.com

Website : www.illuminatingasiapl.blogspot.com

Corporate Office: 8 Cross Street #28-32, PWC Building, S048424 | Service Centre : Blk 1014 Geylang East Avenue 3, #07-238 S389729 (Beside Paya Lebar MRT)

30W LED COB Tracklight

Item No.:G10012430
Power:30W
Size:L135*Φ100mm
Chips:Epistar/Bridgelux
CRI:≥80Ra/90Ra
Luminous Flux:2400-2700lm
Beam Angle:24°
Track Rail:2/3/4 wire
Input Voltage:AC 85-265V

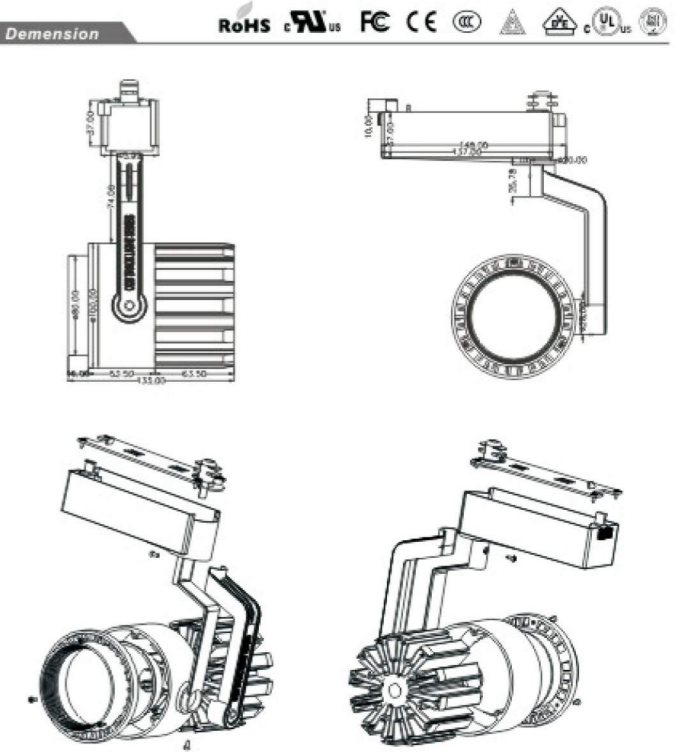


Features

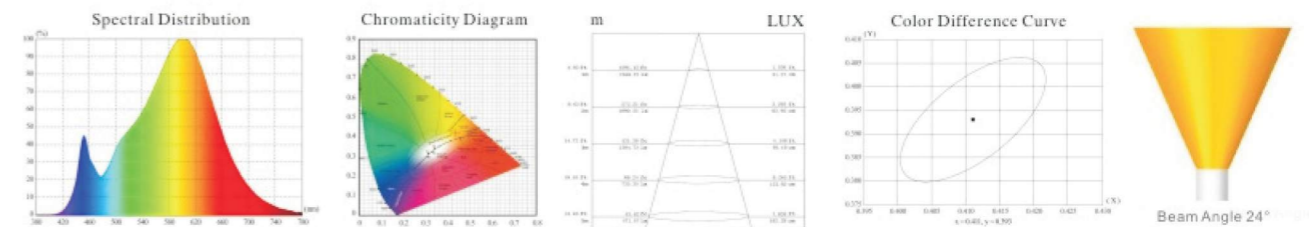
Suitable for shopping mall(clothing shop, furniture shop, brand store and etc), auto showroom, jewelry and ornaments shop, star hotels, brand clothing, top grade club, museum, chain department store, brand business lobby, professional window, counter and some main lighting places, it is the ideal illuminant to replace the traditional halogen tungsten lamp and metal halide lamp.



Dimension



Viewing Angle



Beam Angle 24°

20W LED COB Tracklight

Item No.:G10012120
Power:20W
Size:L192*Φ100mm
Chips:Epistar/Bridgelux
CRI:≥80Ra/90Ra
Luminous Flux:1600-1800lm
Beam Angle:24°
Track Rail:2/3/4 wire
Input Voltage:AC85-265V

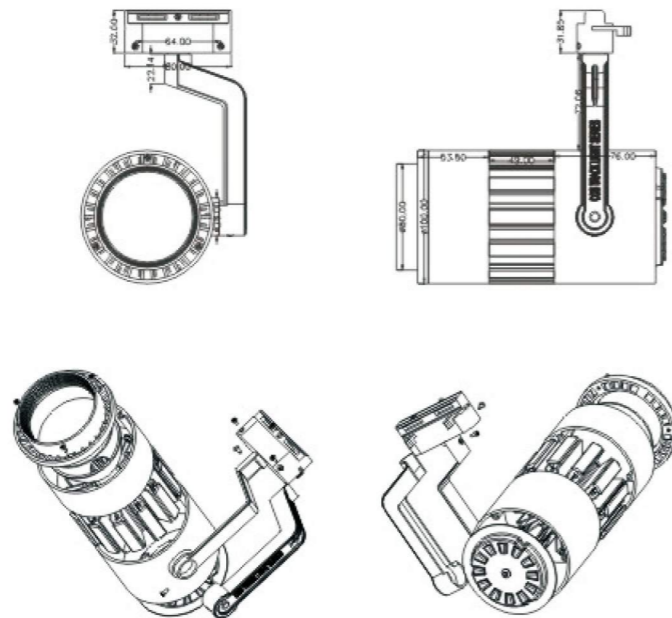


Features

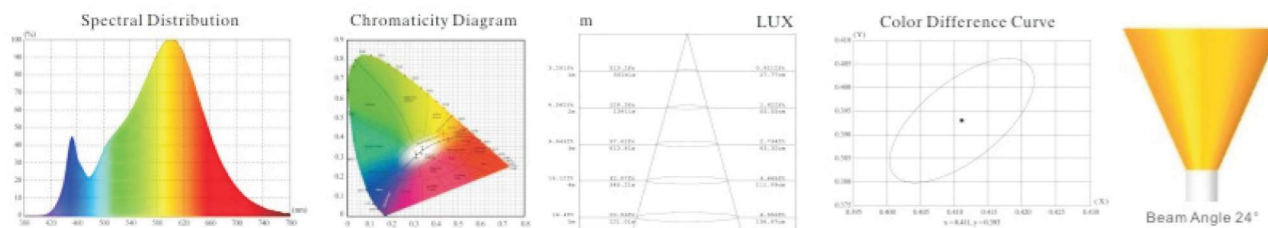
Suitable for shopping mall(clothing shop, furniture shop, brand store and etc), auto showroom, jewelry and ornaments shop, star hotels, brand clothing, top grade club, museum, chain department store, brand business lobby, professional window, counter and some main lighting places, it is the ideal illuminant to replace the traditional halogen tungsten lamp and metal halide lamp.



Dimension



Viewing Angle



Mainline : +65 9336 0324

Email : sales@illuminatingasia.com

Website : www.illuminatingasiaspl.blogspot.com

Corporate Office: 8 Cross Street #28-32, PWC Building, S048424 | Service Centre : Blk 1014 Geylang East Avenue 3, #07-238 S389729 (Beside Paya Lebar MRT)

20W LED COB Tracklight

Item No.:G7012820
Power:20W
Size:L135*Φ70mm
Chips:Epistar/Bridgelux
CRI:≥80 Ra/90Ra
Luminous Flux:1600-1800lm
Beam Angle:24°
Track Rail:2/3/4 wire
Input Voltage:AC85-265V

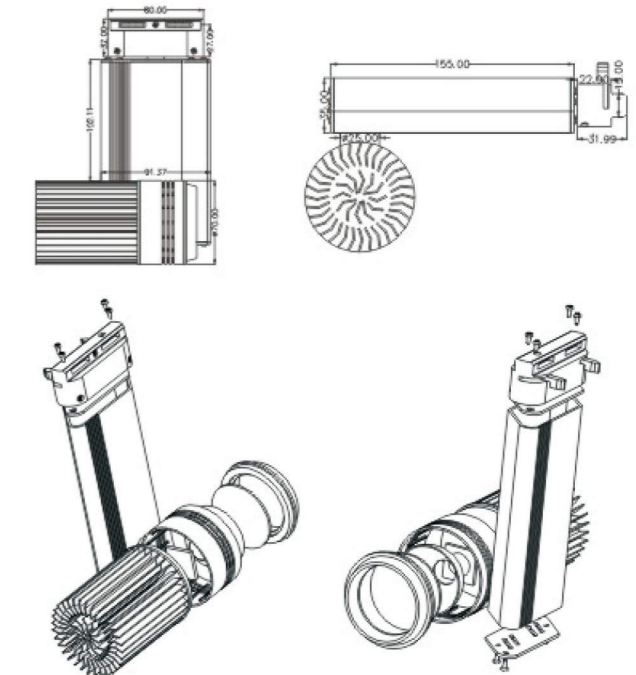
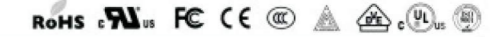


Features

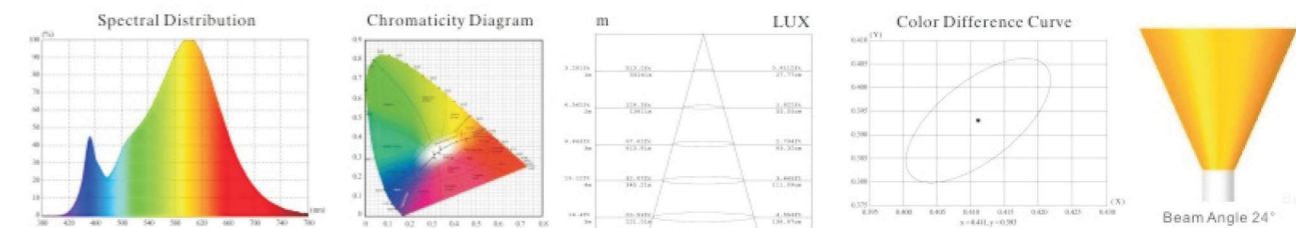
Suitable for shopping mall(clothing shop, furniture shop, brand store and etc), auto showroom, jewelry and ornaments shop, star hotels, brand clothing, top grade club, museum, chain department store, brand business lobby, professional window, counter and some main lighting places, it is the ideal illuminant to replace the traditional halogen tungsten lamp and metal halide lamp.



Dimension



Viewing Angle



Beam Angle 24°

20W LED COB Tracklight

Item No.:G10010820
 Power:20W
 Size:L61*Φ100mm
 Chips:Epistar/Bridgelux
 CRI:≥80Ra/90Ra
 Luminous Flux:1600-1800lm
 Beam Angle:24°
 Track Rail:2/3/4 wire
 Input Voltage:AC85-265V



20W LED COB Tracklight

Item No.:G11510720
 Power:20W
 Size:L80*Φ115mm
 Chips:Epistar/Bridgelux
 CRI:≥80Ra/90Ra
 Luminous Flux:1600-1800lm
 Beam Angle:24°
 Track Rail:2/3/4 wire
 Input Voltage:AC85-265V

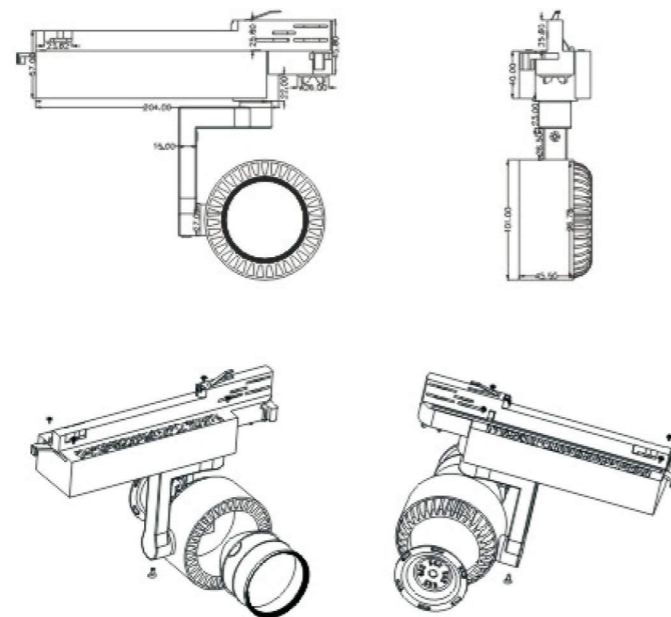
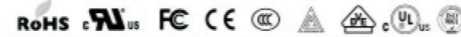


Features

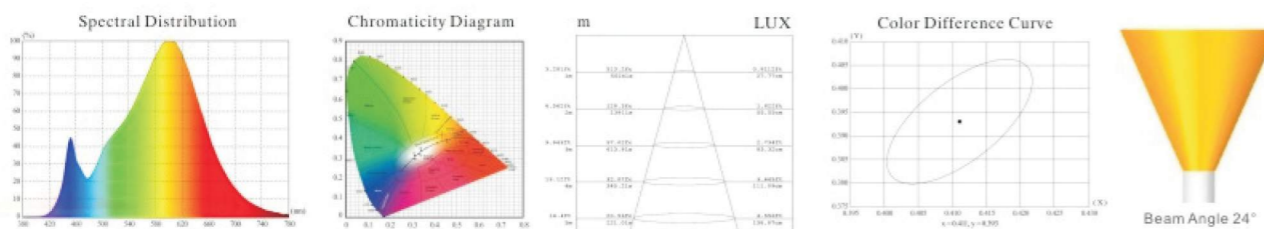
Suitable for shopping mall(clothing shop, furniture shop, brand store and etc), auto showroom, jewelry and ornaments shop, star hotels, brand clothing, top grade club, museum, chain department store, brand business lobby, professional window, counter and some main lighting places, it is the ideal illuminant to replace the traditional halogen tungsten lamp and metal halide lamp.



Dimension



Viewing Angle



Mainline : +65 9336 0324

Email : sales@illuminatingasia.com

Website : www.illuminatingasiapl.blogspot.com

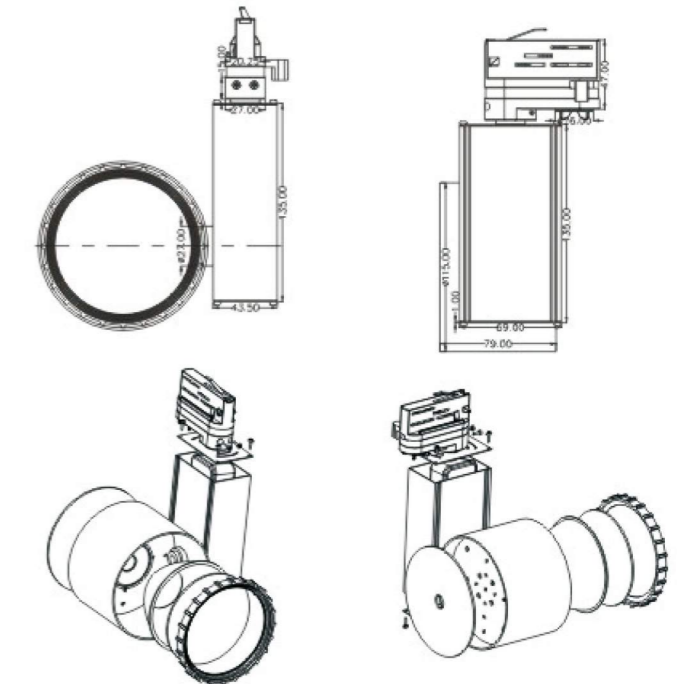
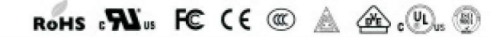
Corporate Office: 8 Cross Street #28-32, PWC Building, S048424 | Service Centre : Blk 1014 Geylang East Avenue 3, #07-238 S389729 (Beside Paya Lebar MRT)

Features

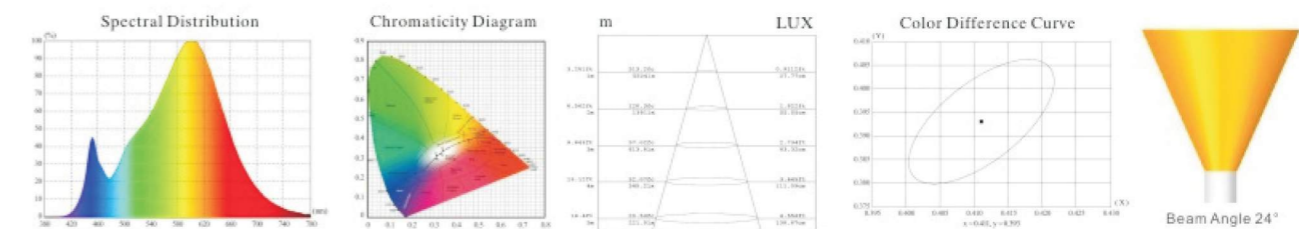
Suitable for shopping mall(clothing shop, furniture shop, brand store and etc), auto showroom, jewelry and ornaments shop, star hotels, brand clothing, top grade club, museum, chain department store, brand business lobby, professional window, counter and some main lighting places, it is the ideal illuminant to replace the traditional halogen tungsten lamp and metal halide lamp.



Dimension



Viewing Angle



Beam Angle 24°