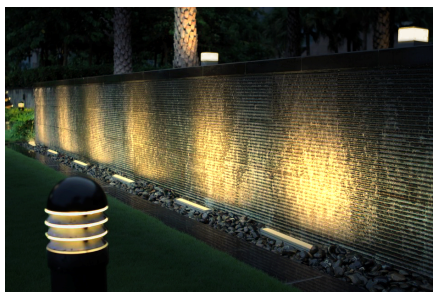
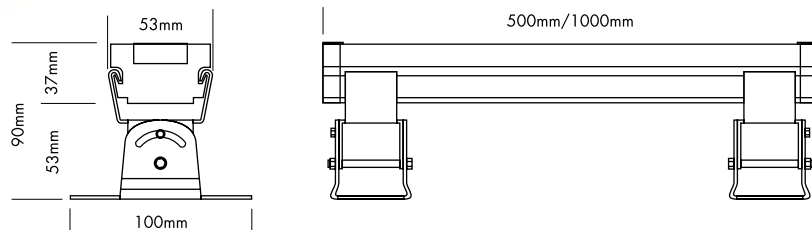


Illuminating Asia

2014-2015 CATALOG

Illuminating Asia; Outdoor Lights

MONO BARS (Wall Washers)



IASPL MONO BARS are ideal for the illumination of large surfaces, e.g. buildings, walls or signboards at outdoor areas. They are equipped with high power LEDs (2 Watt).

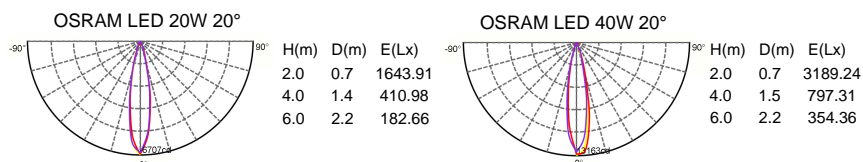
- dimmable or DMX 512, DALI, 1-10 V controllable by IASPL LED RGB Multi power supplies/controller

Technical Data

IP classification:	IP65 (for outdoor use)
Power source:	24 VDC
Housing:	powder coated aluminium grey 3 mm tempered glass
Electrical connection:	1x cable 0,4 m H05RN-F 2x 1,0 mm ² with 2-PIN IP68 connector male 1x cable 0,4 m H05RN-F 2x 1,0 mm ² with 2-PIN IP68 connector female
Maximum quantity per power input:	4 m
Operating temperature range:	-10° C till +45° C

Photometric Data

LED type:	OSRAM 2 Watt high power	
Luminous flux:	white	2350 Lumen per m
	warm white	2100 Lumen per m
Colour temperature:	white	5500-6500 K
	warm white	2700-3500 K
CRI:	white	80+
	warm white	80+
Beam angle:	20°	



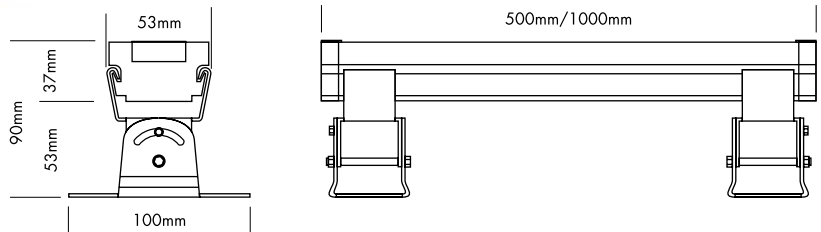
Product Type

IES is available

order code	colour	length	LED pcs	LED power	Power consumption*	weight
FZQ560	white	50 cm	10	20 Watt	20-26 Watt	2,3 kg
FZQ530	warm white	50 cm	10	20 Watt	20-26 Watt	2,3 kg
FZQ1060	white	100 cm	20	40 Watt	40-52 Watt	3,8 kg
FZQ1030	warm white	100 cm	20	40 Watt	40-52 Watt	3,8 kg

Actual power consumption

MULTI RGB BARS (Wall Washers)



The IASPL MULTI RGB BARS are ideal for the illumination of large surfaces, e.g. buildings or walls in outdoor areas. They are also suitable for ambient lighting in indoor applications. Because of the RGB 3-in-1 high power LEDs the TRILED BAR offers homogeneous colormixing.

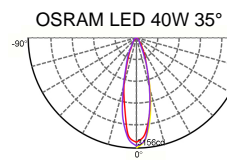
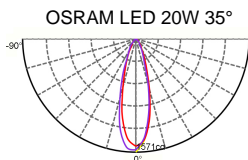
- dimmable, autom. colour change, DMX 512, DALI, 1-10 V controllable by ZSLED RGB MULTI power supplies/controller

Technical Data

IP classification:	IP65 (for outdoor use)
Power source:	24 VDC Common Cathode (CC)
Housing:	powder coated aluminium grey 3 mm tempered glass
Electrical connection:	1x cable 0,4 m H05RN-F 4x 0,75 mm ² with 4-PIN IP68 connector male 1x cable 0,4 m H05RN-F 4x 0,75 mm ² with 4-PIN IP68 connector female
Maximum quantity per power input:	4 m
Operating temperature range:	-10° C till +45° C

Photometric Data

LED type:	OSRAM RGB 3-in-1 LEDs		
Luminous flux:	red	370 Lumen per m	
	green	730 Lumen per m	
	blue	188 Lumen per m	
	r+g+b (white)	250 Lumen per m	
Wave length:	red	622 nm	
	green	523 nm	
	blue	467 nm	
Beam angle:	35°		



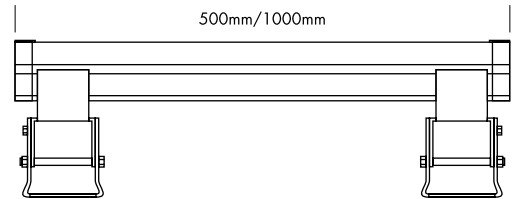
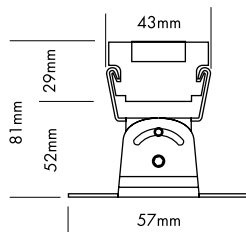
Product Type

IES is available

order code	colour	length	LED pcs	LED power	Power consumption*	weight
FZQ5R	RGB	50 cm	10	20 Watt	20-26 Watt	2,3 kg
FZQ10R	RGB	100 cm	20	40 Watt	40-52 Watt	3,8 kg

Actual power consumption

MULTI RGB BARS (Wall Washers, Slim)



IASPL Multi RGB Slim BARS are ideal for the illumination of large surfaces, e.g. buildings or walls in outdoor areas. They are also suitable for ambient lighting in indoor applications. Because of the RGB 3-in-1 high power LEDs the TRILED BAR offers homogeneous colormixing.

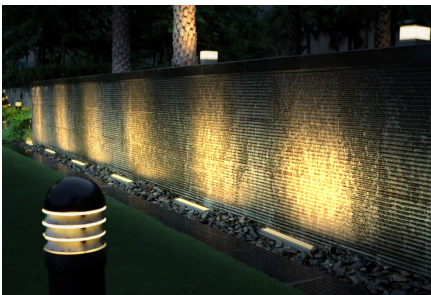
- dimmable, autom. colour change, DMX 512, DALI, 1-10 V controllable by ZSLED RGB MULTI power supplies/controller

Technical Data

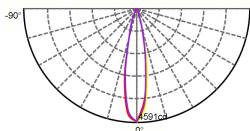
IP classification:	IP65 (for outdoor use)
Housing:	powder coated aluminium grey 3 mm tempered glass
Electrical connection:	1x cable 0,4 m H05RN-F 4x 0,75 mm ² with 4-PIN IP68 connector male 1x cable 0,4 m H05RN-F 4x 0,75 mm ² with 4-PIN IP68 connector female
Maximum quantity per power input:	4 m
Operating temperature range:	-10° C till +45° C

Photometric Data

LED type:	OSRAM RGB 3-in-1 LEDs		
Luminous flux:	red	240 Lumen per m	
	green	480 Lumen per m	
	blue	130 Lumen per m	
	r+g+b (white)	820 Lumen per m	
Wave length:	red	623 nm	
	green	525 nm	
	blue	466 nm	
Beam angle:	35°		

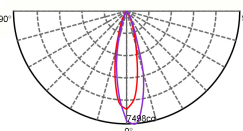


OSRAM LED 18W 35°



H(m)	D(m)	E(Lx)
2.0	0.7	1141.6
4.0	1.5	285.41
6.0	2.2	126.8

OSRAM LED 36W 35°



H(m)	D(m)	E(Lx)
2.0	0.9	1640.13
4.0	1.8	410.03
6.0	2.8	182.24



Product Type

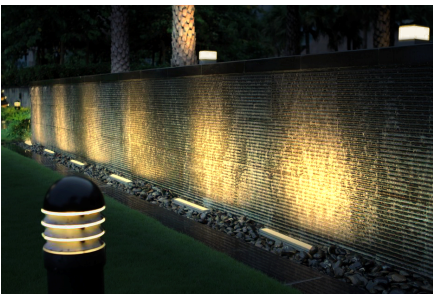
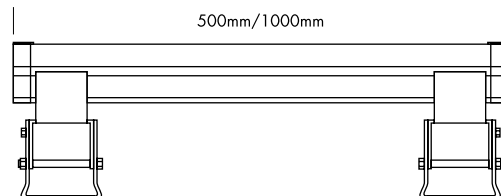
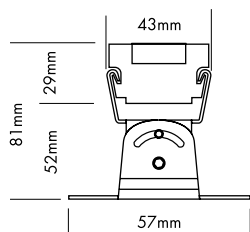
IES is available

order code	colour	length	LED pcs	LED power	Power consumption*	weight
FZR5R	RGB	50 cm	12	18 Watt	18-21 Watt	1,3 kg
FZR10R	RGB	100 cm	24	36 Watt	36-42 Watt	2,3 kg

Actual power consumption

Illuminating Asia; Outdoor Lights

MONO BARS (Wall Washers, Slim)



IASPL MONO BARS, SLIM are ideal for the illumination of large surfaces, e.g. buildings, walls or signboards in outdoor areas. They are equipped with high power LEDs (1 Watt).

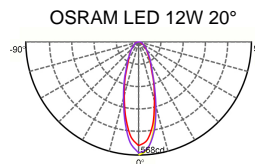
- dimmable or DMX 512, DALI, 1-10 V controllable by ZSLED RGB MULTI power supplies/controller

Technical Data

IP classification:	IP65 (for outdoor use)
Power source:	24 VDC
Housing:	powder coated aluminium grey 3 mm tempered glass
Electrical connection:	1x cable 0,4 m H05RN-F 2x 1,0 mm ² with 2-PIN IP68 connector male 1x cable 0,4 m H05RN-F 2x 1,0 mm ² with 2-PIN IP68 connector female
Maximum quantity per power input:	4 m
Operating temperature range:	-10° C till +45° C

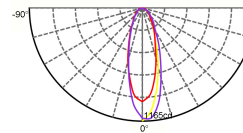
Photometric Data

LED type:	OSRAM 1 Watt high power	
Luminous flux:	white	2000 Lumen per m
	warm white	1820 Lumen per m
Colour temperature:	white	5500-6500 K
	warm white	2700-3500 K
CRI:	white	80+
	warm white	80+
Beam angle:	20°	



H(m)	D(m)	E(Lx)
2.0	1.2	130.21
4.0	2.4	32.55
6.0	3.6	14.47

OSRAM LED 24W 20°



H(m)	D(m)	E(Lx)
2.0	1.2	240.48
4.0	2.4	60.12
6.0	3.6	26.72

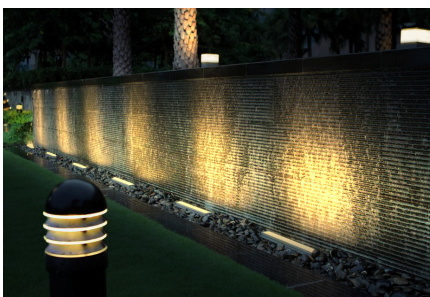
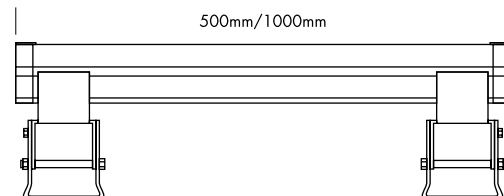
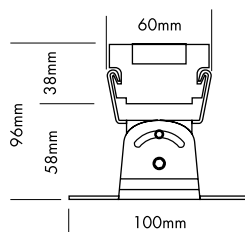
Product Type

IES is available

order code	colour	length	LED pcs	LED power	Power consumption*	weight
FZR560	white	50 cm	12	12 Watt	14-16 Watt	1,2 kg
FZR530	warm white	50 cm	12	12 Watt	14-16 Watt	1,2 kg
FZR1060	white	100 cm	24	24 Watt	28-32 Watt	1,9 kg
FZR1030	warm white	100 cm	24	24 Watt	28-32 Watt	1,0 kg

Actual power consumption

MONO COB BAR (Wall Washer)



IASPL MONO COB BARS, (Slim) are ideal for the illumination of large surfaces, e.g. buildings, walls or signboards in outdoor areas. They are equipped with COB LEDs (4 Watt).

- dimmable or DMX 512, DALI, 1-10 V controllable by IASPL RGB MULTI power supplies/controller

Technical Data

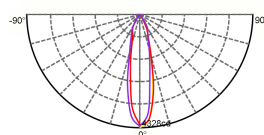
IP classification:	IP65 (for outdoor use)
Power source:	24 VDC
Housing:	powder coated aluminium grey 3 mm tempered glass
Electrical connection:	1x cable 0,4 m H05RN-F 2x 1,0 mm ² with 2-PIN IP68 connector male 1x cable 0,4 m H05RN-F 2x 1,0 mm ² with 2-PIN IP68 connector female
Maximum quantity per power input:	4 m
Operating temperature range:	-10° C till +45° C

Photometric Data

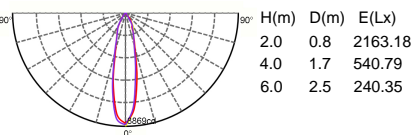
LED type:	COB 4 Watt	
Luminous flux:	white	3200 Lumen per m
	warm white	3000 Lumen per m
Colour temperature:	white	5000-6000 K
	warm white	2700-3500 K
CRI:	white	80+
	warm white	80+
Beam angle:	24°	



OSRAM LED 24W 24°



OSRAM LED 48W 24°



Product Type

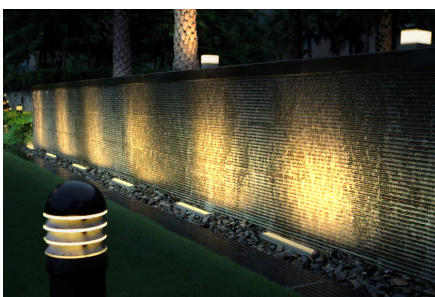
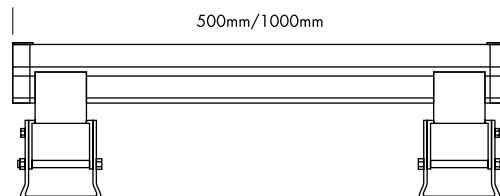
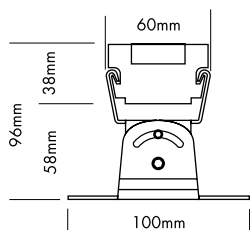
IES is available

order code	colour	length	LED pcs	LED power	Power consumption *	weight
FZFO560	white	50 cm	6	24 Watt	28-33 Watt	2,1 kg
FZFO530	warm white	50 cm	6	24 Watt	28-33 Watt	2,1 kg
FZFO1060	white	100 cm	12	48 Watt	56-66 Watt	3,4 kg
FZFO1030	warm white	100 cm	12	48 Watt	56-66 Watt	3,4 kg

Actual power consumption

Illuminating Asia; Outdoor Lights

RGBW BAR



IASPL RGBW BAR are ideal for the illumination of large surfaces, e.g. buildings or walls in outdoor areas. They are also suitable for ambient lighting in indoor applications. Because of the RGBW high power LEDs (4 Watt) the RGBW BAR offers homogeneous colormixing and clean natural white.

- dimmable, autom. colour change, DMX 512, DALI, 1-10 V controllable by IASPL RGBW LED power supplies/controller

Technical Data

IP classification:	IP65 (for outdoor use)
Power source:	24 VDC Common Cathode (CC)
Housing:	powder coated aluminium grey 3 mm tempered glass
Electrical connection:	1x cable 0,5 m H05RN-F 5x 0,5 mm ² with 7-PIN IP68 connector male 1x cable 0,5 m H05RN-F 5x 0,5 mm ² with 7-PIN IP68 connector female

Maximum quantity per power input: 4 m

Operating temperature range: -10° C till +45° C

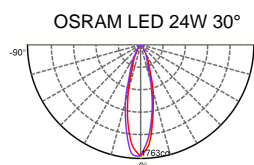
Photometric Data

LED type:	OSRAM RGBW 4 Watt module	
Luminous flux:	red	320 Lumen
	green	630 Lumen
	blue	130 Lumen
	white	720 Lumen
	r+g+b+w	1700 Lumen

Wave length:	red	622 nm
	green	531 nm
	blue	457 nm

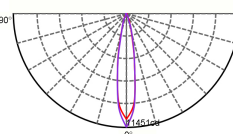
Colour temperature: white 5000-6500 K

Beam angle: 30°



H(m)	D(m)	E(Lx)
2.0	1.0	431.90
4.0	1.9	107.98
6.0	2.9	47.99

OSRAM LED 48W 30°



H(m)	D(m)	E(Lx)
2.0	0.6	2666.13
4.0	1.3	666.53
6.0	1.6	296.24

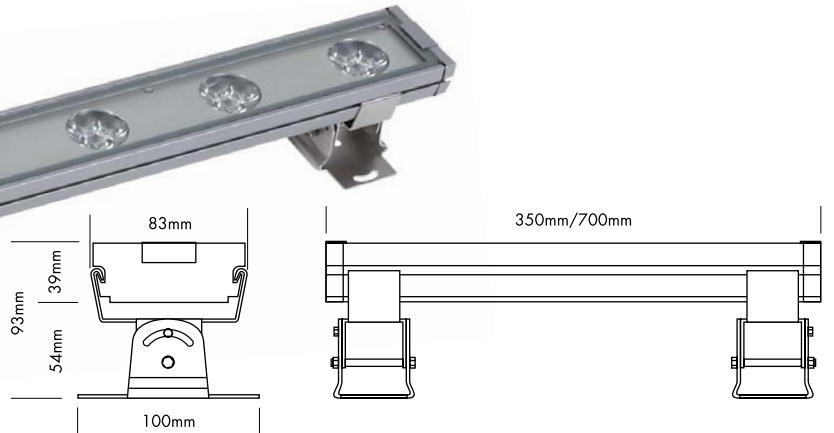
Product Type

IES is available

order code	colour	length	LED pcs	LED power	Power consumption*	weight
FZF5RW	RGBW	50 cm	6	24 Watt	24-28 Watt	2,3 kg
FZF10RW	RGBW	100 cm	12	48 Watt	48-56 Watt	3,8 kg

Actual power consumption

BAR DELTA MONO IP65



IASPL MONO QUE E BAR are ideal for the illumination of large surfaces, e.g. buildings, walls or signboards in outdoor areas. They are equipped with high power LEDs (3 Watt).

- dimmable or DMX 512, DALI, 1-10 V controllable by IASPL RGB MULTI power supplies/controller

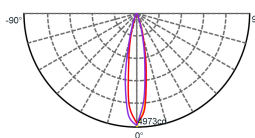
Technical Data

IP classification:	IP65 (for outdoor use)
Power source:	24 VDC
Housing:	powder coated aluminium grey 3 mm tempered glass
Electrical connection:	1x cable 0,4 m H05RN-F 2x 1,0 mm ² with 2-PIN IP68 connector male 1x cable 0,4 m H05RN-F 2x 1,0 mm ² with 2-PIN IP68 connector female
Maximum quantity per power input:	3.5 m
Operating temperature range:	-10° C till +45° C

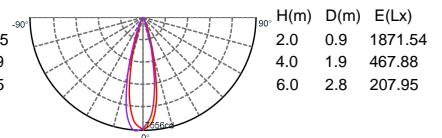
Photometric Data

LED type:	OSRAM 3 Watt high power	
Luminous flux:	white	1800 Lumen per m
	warm white	1200 Lumen per m
Colour temperature:	white	5500-6500 K
	warm white	2700-3500 K
CRI:	white	70+
	warm white	80+
Beam angle:	30°	

OSRAM LED 27W 30°



OSRAM LED 54W 30°



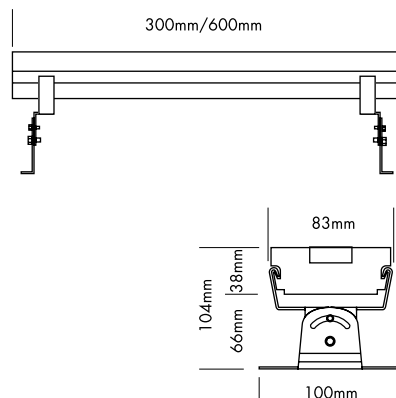
Product Type

IES is available

order code	colour	Length	LED pcs	LED power	Power consumption*	weight
AZP3560	white	35cm	9	27 Watt	20-26 Watt	2.2kg
AZP3530	warm white	35cm	9	27 Watt	20-26 Watt	2.2kg
AZP35R	white	35cm	9	27 Watt	20-26 Watt	2.2kg
AZP7060	warm white	70cm	18	54 Watt	44-58 Watt	4.0kg
AZP7030	white	70cm	18	54 Watt	44-58 Watt	4.0kg
AZP70R	warm white	70cm	18	54 Watt	44-58 Watt	4.0kg

Actual power consumption

BAR DOUBLE TRILED RGB IP65



IASPL DOUBLE TRILED BARS IP65 are ideal for the illumination of large surfaces, e.g. buildings or walls in outdoor areas. They are also suitable for ambient lighting in indoor applications. Because of the RGB 3-in-1 high power LEDs the TRILED BAR offers homogeneous colormixing.

- dimmable, autom. colour change, DMX 512, DALI, 1-10 V controllable by IASPL RGB MULTI power supplies/controller

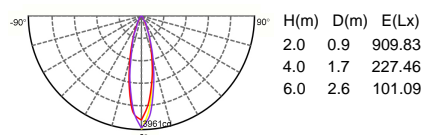
Technical Data

IP classification:	IP65 (for outdoor use)
Power source:	24 VDC Common Cathode (CC)
Housing:	powder coated aluminium grey 4 mm tempered glass
Electrical connection:	1x cable 0,4 m H05RN-F 4x 0,75 mm ² with 4-PIN IP68 connector male 1x cable 0,4 m H05RN-F 4x 0,75 mm ² with 4-PIN IP68 connector female
Maximum quantity per power input:	3 m
Operating temperature range:	-10° C till +45° C

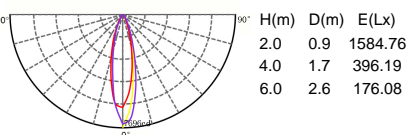
Photometric Data

LED type:	OSRAM RGB 3-in-1 LEDs		
Luminous flux:	red	550 Lumen per m	
	green	1200 Lumen per m	
	blue	290 Lumen per m	
	r+g+b (white)	1950 Lumen per m	
Wave length:	red	620 nm	
	green	526 nm	
	blue	464 nm	
Beam angle:	25°		

OSRAM LED 48W 25°



OSRAM LED 90W 25°



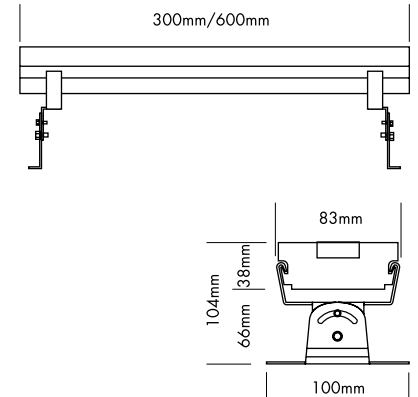
Product Type

IES is available

order code	colour	length	LED pcs	LED power	Power consumption*	weight
AZP30R	RGB 3in-1	30 cm	16	48 Watt	48-50 Watt	2.2 kg
AZP60R	RGB 3in-1	60 cm	30	90 Watt	80-85 Watt	2.7 kg

Actual power consumption

BAR DOUBLE MONO IP65



IASPL DOUBLE MONO BAR are ideal for the illumination of large surfaces, e.g. buildings, walls or signboards in outdoor areas. They are equipped with high power LEDs.

- dimmable or DMX 512, DALI, 1-10 V controllable by IASPL RGB MULTI power supplies/controller

Technical Data

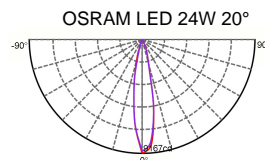
IP classification:	IP65 (for outdoor use)
Power source:	24 VDC
Housing:	powder coated aluminium grey 4 mm tempered glass
Electrical connection:	1x cable 0,4 m H05RN-F 2x 1,0 mm ² with 2-PIN IP68 connector male 1x cable 0,4 m H05RN-F 2x 1,0 mm ² with 2-PIN IP68 connector female

Maximum quantity per power input: 4m

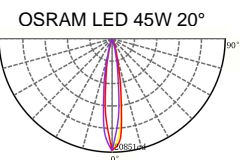
Operating temperature -10° C till +45° C range:

Photometric Data

LED type:	OSRAM 1,5 Watt high power	
Luminous flux:	white	3650 Lumen per 0,6m
	warm white	2600 Lumen per 0,6m
Colour temperature:	white	5500-6500 K
	warm white	2700-3500 K
CRI:	white	70+
	warm white	80+
Beam angle:	6° and 20°	



H(m)	D(m)	E(Lx)
2.0	0.7	2246.57
4.0	1.4	561.64
6.0	2.1	249.62



H(m)	D(m)	E(Lx)
2.0	0.6	5150.87
4.0	1.1	1287.72
6.0	1.7	572.32

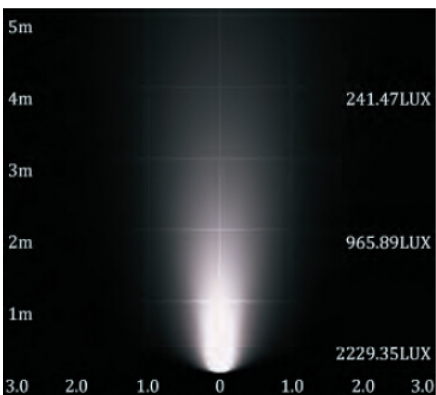
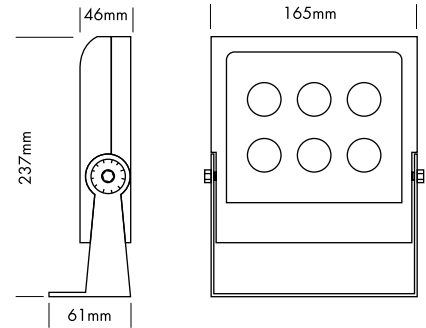
Product Type

IES is available

order code	colour	length	LED pcs	LED power	Power consumption*	weight
AZP3060	white	30 cm	16	24 Watt	25-28 Watt	2.2kg
AZP3030	warm white	30 cm	16	24 Watt	25-28 Watt	2.2kg
AZP3060	white	60 cm	30	45 Watt	45-48 Watt	3.7kg
AZP6030	warm white	60 cm	30	45 Watt	45-48 Watt	3.7kg

Actual power consumption

WALLWASHER6 RGBW



IASPL WALLWASHER6 RGBW is ideal for the illumination of large surfaces, e.g. buildings or walls in outdoor areas. They are also suitable for ambient lighting in indoor applications. Because of the RGBW high power LEDs (4 Watt) the RGBW WALLWASHER6 offers homogeneous colormixing and clean natural white.

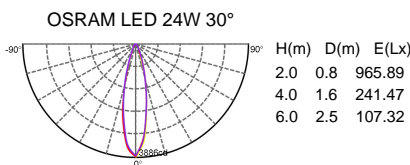
- dimmable, autom. colour change, DMX 512, DALI, 1-10 V controllable by IASPL RGBW MULTI power supplies/controller

Technical Data

IP classification:	IP65 (for outdoor use)
Power source:	24 VDC Common Cathode (CC)
Housing:	powder coated aluminium grey 7 mm tempered glass
Electrical connection:	1x cable 0,5 m HOSRN-F 5x 0,5 mm ² with 7-PIN IP68 connector male
Operating temperature range:	-10° C till +45° C

Photometric Data

LED type:	OSRAM RGBW 4 Watt module	
Luminous flux:	red	180 Lumen
	green	390 Lumen
	blue	90 Lumen
	white	500 Lumen
	r+g+b+w	1100 Lumen
Wave length:	red	623 nm
	green	531 nm
	blue	458 nm
Colour temperature:	white	5000-6500 K
Beam angle:	30°	



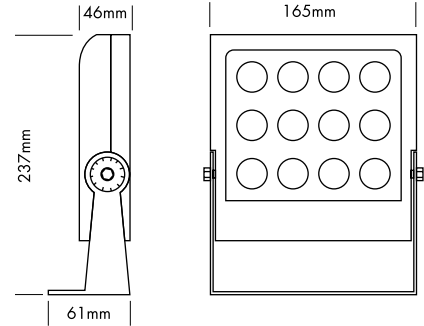
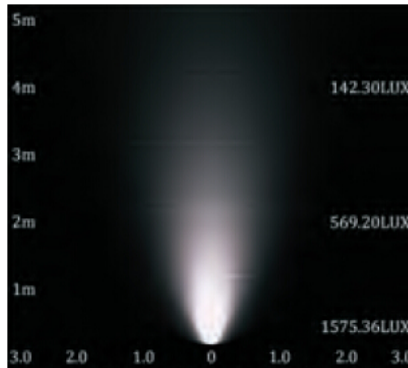
Product Type

IES is available

order code	colour	LED pcs	LED power	Power consumption*	weight
CZPCFRW	RGBW	6	24 Watt	28-32 Watt	2,3 kg

Actual power consumption

WALLWASHER12 RGB



IASPL WALLWASHER12 is ideal for the illumination of large surfaces, e.g. buildings or walls in outdoor areas. They are also suitable for ambient lighting in indoor applications. Because of the RGBW high power LEDs the RGB WALLWASHER6 offers homogeneous colormixing and clean natural white.

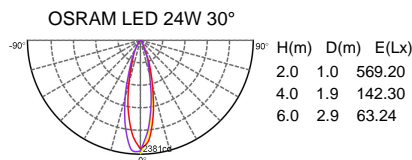
- dimmable, autom. colour change, DMX 512, DALI, 1-10 V controllable by IASPL RGBW MULTI power supplies/controller

Technical Data

IP classification:	IP65 (for outdoor use)
Power source:	24 VDC Common Cathode (CC)
Housing:	powder coated aluminium grey 7 mm tempered glass
Electrical connection:	1x cable 0,5 m H05RN-F 4x 0,75 mm ² with 4-PIN IP68 connector male
Operating temperature range:	-10° C till +45° C

Photometric Data

LED type:	OSRAM RGB 3-in-1 LEDs	
Luminous flux:	red	230 Lumen
	green	500 Lumen
	blue	130 Lumen
	r+g+b	820 Lumen
Wave length:	red	620 nm
	green	526 nm
	blue	467 nm
Beam angle:	30°	



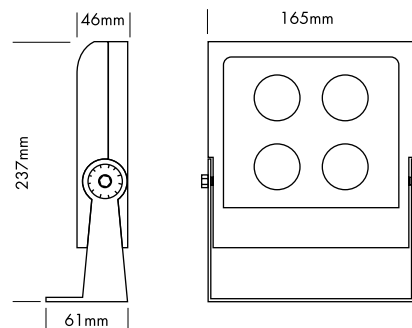
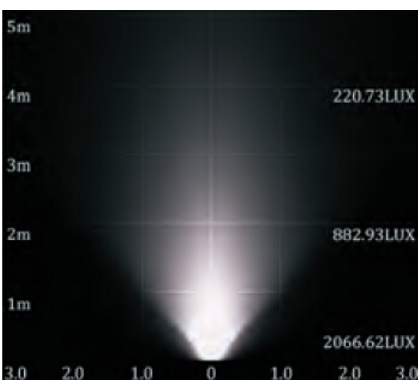
Product Type

IES is available

order code	colour	LED pcs	LED power	Power consumption*	weight
CZPLR	RGB	12	24 Watt	34-36 Watt	1,7 kg

Actual power consumption

WALLWASHER4 MONO COB



IASPL WALL WASHER 4 MONO COB is ideal for the illumination of surfaces, e.g. buildings, columns or walls in outdoor areas. It is also suitable for emphasis lighting indoors as well as outdoors.

- dimmable or DMX 512, DALI, 1-10 V controllable by IASPL RGBW MULTI power supplies/controller

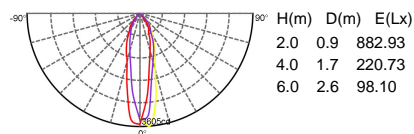
Technical Data

IP classification:	IP65 (for outdoor use)
Power source:	24 VDC
Housing:	powder coated aluminium grey 7 mm tempered glass
Electrical connection:	1x cable 0,4 m H05RN-F 2x 1,0 mm ² with 2-PIN IP68 connector male
Operating temperature range:	-10° C till +45° C

Photometric Data

LED type:	OSRAM COB 5 Watt	
Luminous flux:	white	1800 Lumen per m
	warm white	1400 Lumen per m
Colour temperature:	white	5000-6000 K
	warm white	2700-3500 K
CRI:	white	80+
	warm white	80+
Beam angle:	24°	

OSRAM LED 20W 25°



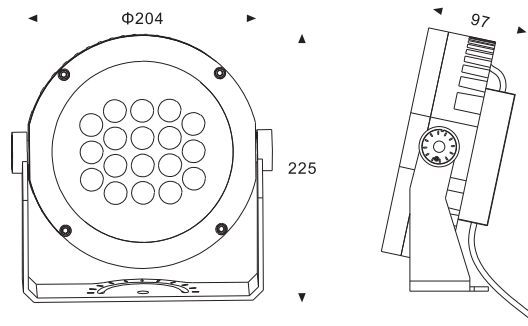
Product Type

IES is available

order code	colour	LED pcs	LED power	Power consumption*	weight
CZPCOD2060	white	4	20 Watt	26-30 Watt	2,2 kg
CZPCOD2030	warm white	4	20 Watt	26-30 Watt	2,2 kg

Actual power consumption

WALLWASHER ROUND TRILED MONO AND RGB



IASPL WALL WASHER R TRILED/MONO is ideal for the illumination of large surfaces, e.g. buildings, columns or walls in outdoor areas. It is also suitable for ambient lighting in indoor applications.

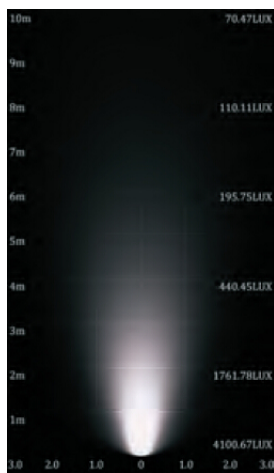
- dimmable, autom. colour change, DMX 512, DALI, 1-10 V controllable by IASPL RGBW MULTI power supplies/controller

Technical Data

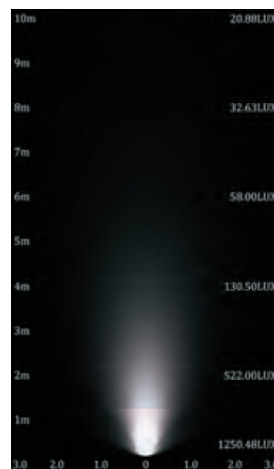
IP classification:	IP65 (for outdoor use)
Power source:	24 VDC Common Cathode (CC)
Housing:	powder coated aluminium grey
Electrical connection:	1x cable 2 m H05RN-F 4x 0,75 mm ² with 4-PIN IP68 connector male
Operating temperature range:	-10° C till +45° C

Photometric Data

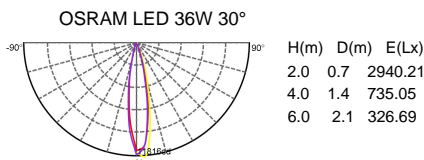
LED type:	OSRAM LED	
Luminous flux:	Cool white	1876 Lumen
	Warm white	1560 Lumen
Wave length:	red	624 nm
	green	520 nm
	blue	465 nm
Beam angle:	30°	



CZBCR60 30°



CZBCRR 30°



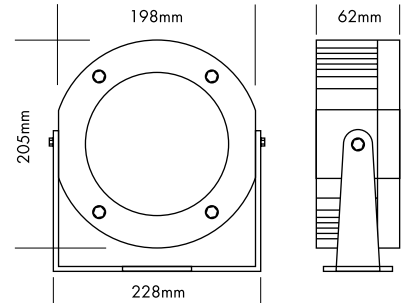
Product Type

IES is available

order code	colour	LED pcs	LED power	Power consumption*	weight
CZBCR60	white	18	36 Watt	36-37 Watt	2.8kg
CZBCR30	warm white	18	36 Watt	36-37 Watt	2.8kg
CZBCRR	RGB	18	36 Watt	36-37 Watt	2.8kg

Actual power consumption

WALLWASHER ROUND TRILED RGB



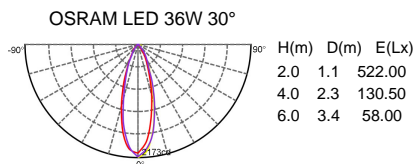
IASPL WALLWASHER R TRILED / MONO is ideal for the illumination of large surfaces, e.g. buildings, columns or walls in outdoor areas. It is also suitable for ambient lighting in indoor applications. • dimmable, autom. colour change, DMX 512, DALI, 1-10 V controllable by IASPL RGBW MULTI power supplies/controller

Technical Data

IP classification:	IP65 (for outdoor use)
Power source:	24 VDC Common Cathode (CC)
Housing:	powder coated aluminium grey
Electrical connection:	1x cable 2 m H05RN-F 4x 0,75 mm ² with 4-PIN IP68 connector male
Operating temperature range:	-10° C till +45° C

Photometric Data

LED type:	OSRAM RGB 3-in-1 LEDs	
Luminous flux:	red	140 Lumen
	green	310 Lumen
	blue	65 Lumen
	r+g+b	510 Lumen
Wave length:	red	624 nm
	green	520 nm
	blue	467 nm
Beam angle:	30°	



Product Type

IES is available

order code	colour	LED pcs	LED power	Power consumption*	weight
CZBCZR	RGB	24	36 Watt	36-38 Watt	3 kg

Actual power consumption