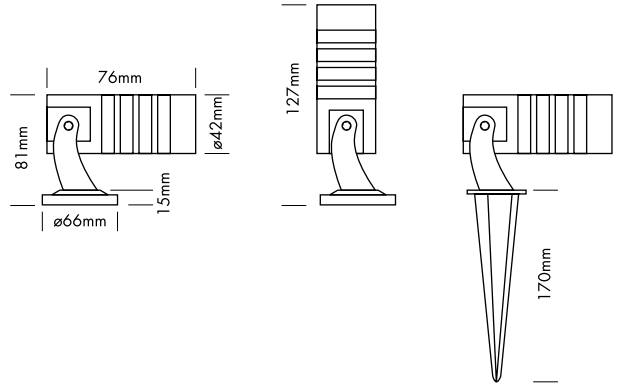
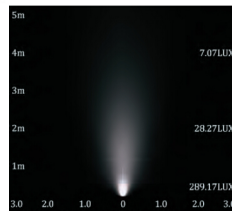


# **Illuminating Asia**

2014-2015 CATALOG

## SPOT LIGHT IP65 1x 3 Watt TRILED RGB



IASPL OD SPOTLIGHT TRILED is suitable for emphasis lighting indoors as well as outdoors. Combined with a ground spike it is also perfect for plant and garden lighting.

- dimmable, autom. colour change, DMX 512, DALI, 1-10 V controllable by IASPL RGBW MULTI power supplies/controller

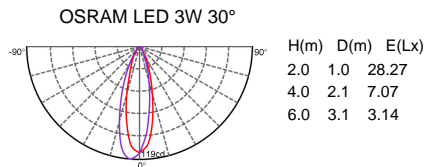
### Technical Data

IP classification:	IP65 (for outdoor use)
Power source:	24 VDC Common Cathode (CC)
Housing:	silver anodised aluminium or powder coated aluminium black
Electrical connection:	1x cable 2 m H05RN-F 4x 0,75 mm <sup>2</sup> with 4-PIN IP68 connector male

Operating temperature range: -10° C till +45° C

### Photometric Data

LED type:	OSRAM RGB 3-in-1 LEDs	
Luminous flux:	red	15 Lumen
	green	30 Lumen
	blue	10 Lumen
	r+g+b (white)	55 Lumen
Wave length:	red	621 nm
	green	525 nm
	blue	471 nm
Beam angle:	30°	



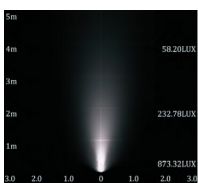
### Product Type

IES is available

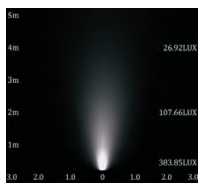
order code	colour	housing	LED pcs	LED power	Power consumption*	weight
CZACAR	RGB	silver	1	3 Watt	3-4 Watt	0,4 kg
CZADAR	RGB	black	1	3 Watt	3-4 Watt	0,4 kg

Actual power consumption

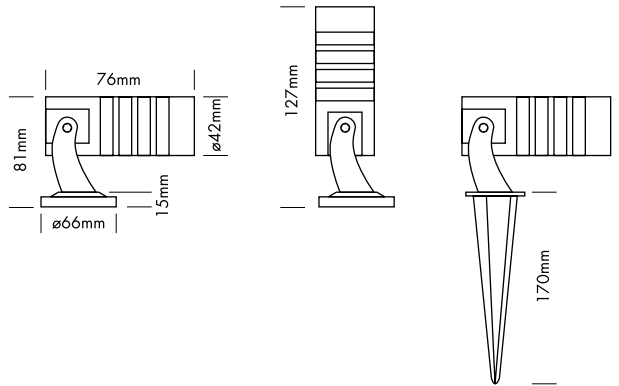
## SPOT LIGHT IP65 1x 3 Watt MONO



CZACA60 20°



CZACA60 30°



IASPL OD SPOTLIGHT MONO is suitable for emphasis lighting indoors as well as outdoors. Combined with a ground spike it is also perfect for plant and garden lighting.

- dimmable or DMX 512, DALI, 1-10 V controllable by IASPL RGBW MULTI power supplies/controller

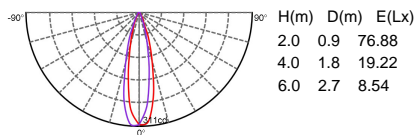
### Technical Data

IP classification:	IP65 (for outdoor use)
Power source:	24 VDC
Housing:	silver anodised aluminium or powder coated aluminium black
Electrical connection:	1x cable 2 m H05RN-F 2x 1,0 mm <sup>2</sup> with 2-PIN IP68 connector male
Operating temperature range:	-10° C till +45° C

### Photometric Data

LED type:	OSRAM 3 Watt high power	
Luminous flux:	white	80 Lumen per m
	warm white	75 Lumen per m
Colour temperature:	white	5500-6500 K
	warm white	2700-3500 K
CRI:	white	70+
	warm white	70+
Beam angle:	30°	

### OSRAM LED 3W 30°



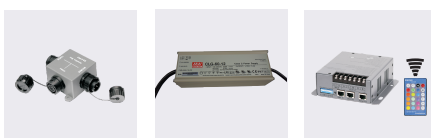
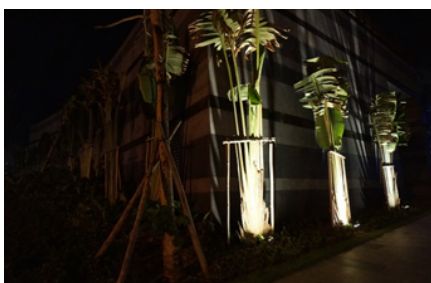
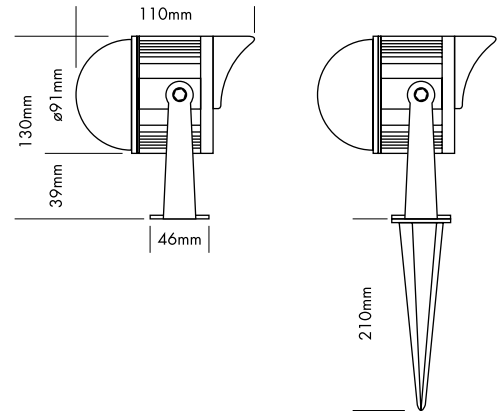
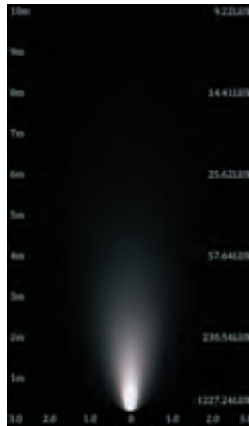
### Product Type

IES is available

order code	colour	LED pcs	LED power	Power consumption*	weight
CZACA60	white	1	3 Watt	2,5-3 Watt	0,4 kg
CZADA60	white	1	3 Watt	2,5-3 Watt	0,4 kg
CZACA30	warm white	1	3 Watt	2,5-3 Watt	0,4 kg
CZADA30	warm white	1	3 Watt	2,5-3 Watt	0,4 kg

Actual power consumption

## SPOT LIGHT IP65 3x 2 Watt TRILED RGB



IASPL OD SPOTLIGHT TRILED is suitable for emphasis lighting indoors as well as outdoors. Combined with a ground spike it is also perfect for plant and garden lighting.

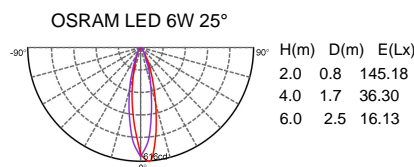
- dimmable, autom. colour change, DMX 512, DALI, 1-10 V controllable by IASPL RGBW MULTI power supplies/controller

### Technical Data

IP classification:	IP65 (for outdoor use)
Power source:	24 VDC Common Cathode (CC)
Housing:	powder coated aluminium grey
Electrical connection:	1x cable 2 m H05RN-F 4x 0,75 mm <sup>2</sup> with 4-PIN IP68 connector male
Operating temperature range:	-10° C till +45° C

### Photometric Data

LED type:	OSRAM RGB 3-in-1 LEDs		
Luminous flux:	red	60 Lumen	
	green	135 Lumen	
	blue	35 Lumen	
	r+g+b	230 Lumen	
Wave length:	red	620 nm	
	green	524 nm	
	blue	465 nm	
Beam angle:	25°		



### Product Type

IES is available

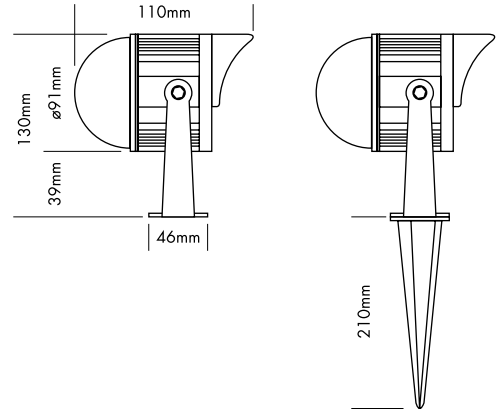
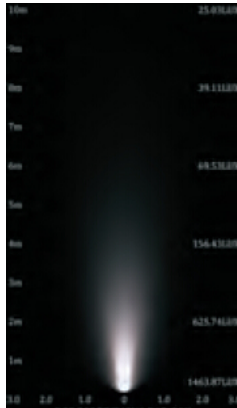
order code	colour	LED pcs	LED power	Power consumption*	weight
CZBCCR	RGB	3	6 Watt	6-7 Watt	0,85 kg

Actual power consumption

## SPOT LIGHT IP65 3x 2 Watt MONO



CZBCC60 20°



IASPL OD SPOTLIGHT MONO is suitable for emphasis lighting indoors as well as outdoors. Combined with a ground spike it is also perfect for plant and garden lighting.

- dimmable or DMX 512, DALI, 1-10 V controllable by IASPL RGBW MULTI power supplies/controller

### Technical Data

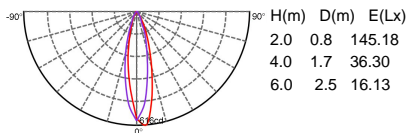
IP classification:	IP65 (for outdoor use)
Power source:	24 VDC
Housing:	powder coated aluminium grey
Electrical connection:	1x cable 2 m H05RN-F 2x 1,0 mm <sup>2</sup> with 2-PIN IP68 connector male
Operating temperature range:	-10° C till +45° C

### Photometric Data

LED type:	OSRAM 2 Watt high power		
Luminous flux:	white	550	Lumen per m
	warm white	390	Lumen per m
Colour temperature:	white	5500-6500 K	
	warm white	2700-3500 K	
CRI:	white	70+	
	warm white	80+	
Beam angle:	6° and 20°		



OSRAM LED 6W 20°



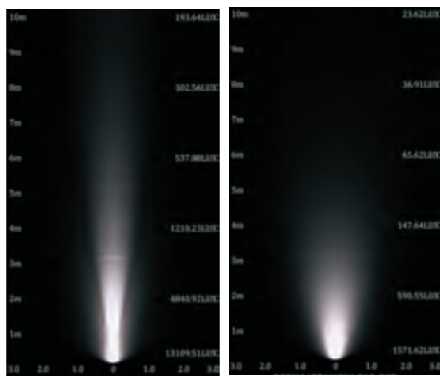
### Product Type

IES is available

order code	colour	beam angle	LED pcs	LED power	Power consumption*	weight
CZBCC60	white	6°	3	6 Watt	5-6 Watt	0,85 kg
CZBCC60	white	20°	3	6 Watt	5-6 Watt	0,85 kg
CZBCC30	warm white	6°	3	6 Watt	5-6 Watt	0,85 kg
CZBCC30	warm white	20°	3	6 Watt	5-6 Watt	0,85 kg

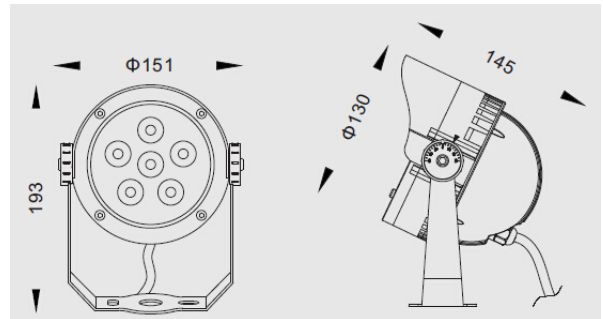
Actual power consumption

## SPOT LIGHT IP65 6x 2 Watt MONO



CZBCF60 6°

CZBCF60 30°



IASPL OD SPOTLIGHT MONO is suitable for emphasis lighting indoors as well as outdoors. Combined with a ground spike it is also perfect for plant and garden lighting.

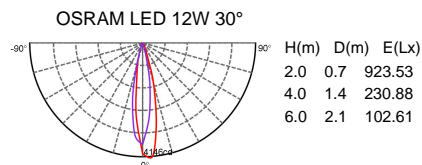
- dimmable or DMX 512, DALI, 1-10 V controllable by IASPL RGBW MULTI power supplies/controller

### Technical Data

IP classification:	IP65 (for outdoor use)
Power source:	24 VDC
Housing:	powder coated aluminium black
Electrical connection:	1 x cable 2 m H05RN-F 2x 1,0 mm <sup>2</sup> with 2-PIN IP68 connector male
Operating temperature range:	-10° C till +45° C

### Photometric Data

LED type:	OSRAM 2 Watt high power	
Luminous flux:	white	550 Lumen
	warm white	390 Lumen
Colour temperature:	white	5500-6500 K
	warm white	2700-3500 K
CRI:	white	70+
	warm white	80+
Beam angle:	6° and 30°	



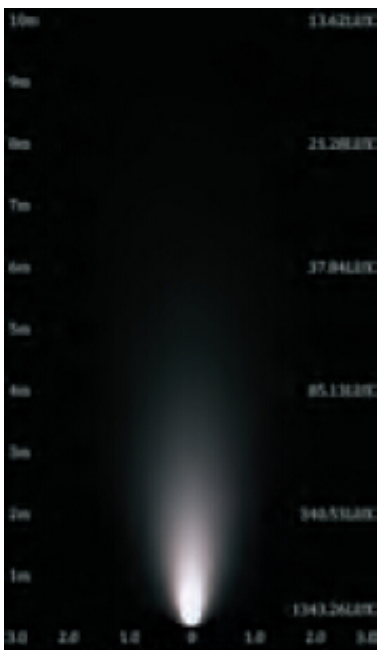
### Product Type

IES is available

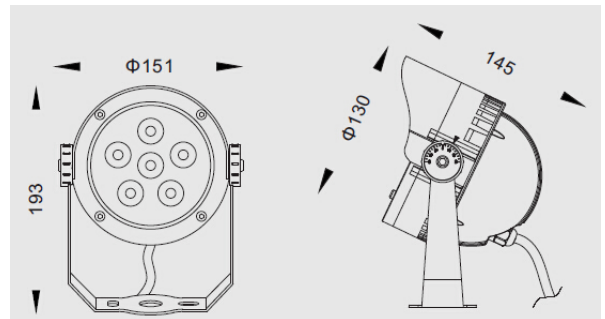
order code	colour	LED pcs	LED power	Power consumption*	weight
CZBCF60	white	6	12 Watt	12-13 Watt	1.0 kg
CZBCF30	warm white	6	12 Watt	12-13 Watt	1.0 kg

Actual power consumption

## SPOT LIGHT IP65 6x 2 Watt TRILED RGB



CZBCFR 25°



IASPL OD SPOTLIGHT TRILED is suitable for emphasis lighting indoors as well as outdoors. Combined with a ground spike it is also perfect for plant and garden lighting.

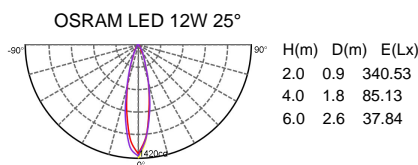
- dimmable, autom. colour change, DMX 512, DALI, 1-10 V controllable by IASPL RGBW MULTI power supplies/controller

### Technical Data

IP classification:	IP65 (for outdoor use)
Power source:	24 VDC Common Cathode (CC)
Housing:	powder coated aluminium grey
Electrical connection:	1x cable 2 m H05RN-F 4x 0,75 mm <sup>2</sup> with 4-PIN IP68 connector male
Operating temperature range:	-10° C till +45° C

### Photometric Data

LED type:	OSRAM RGB 3-in-1 LEDs		
Luminous flux:	red	60 Lumen	
	green	135 Lumen	
	blue	35 Lumen	
	r+g+b+w	230 Lumen	
Wave length:	red	620 nm	
	green	524 nm	
	blue	465 nm	
Beam angle:	25°		



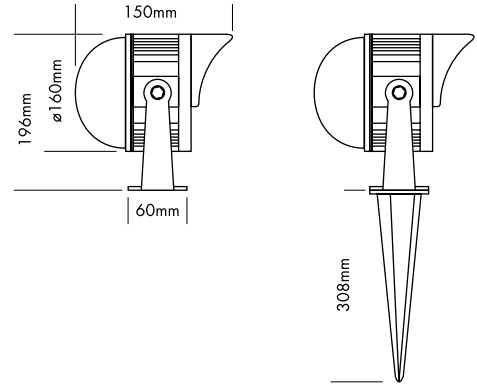
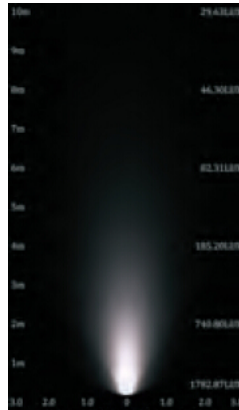
### Product Type

IES is available

order code	colour	LED pcs	LED power	Power consumption*	weight
CZBCFR	RGB	6	12 Watt	12-13 Watt	1.0 kg

Actual power consumption

## SPOT LIGHT IP65 12x 2 Watt TRILED RGB



IASPL OD SPOTLIGHT TRILED is suitable for emphasis lighting indoors as well as outdoors. Combined with a ground spike it is also perfect for plant and garden lighting.

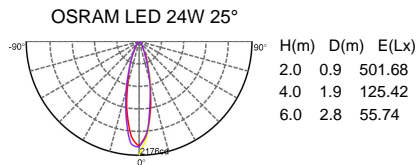
- dimmable, autom. colour change, DMX 512, DALI, 1-10 V controllable by IASPL RGBW MULTI power supplies/controller

### Technical Data

IP classification:	IP65 (for outdoor use)
Power source:	24 VDC Common Cathode (CC)
Housing:	powder coated aluminium grey
Electrical connection:	1x cable 2 m H05RN-F 4x 0,75 mm <sup>2</sup> with 4-PIN IP68 connector male
Operating temperature range:	-10° C till +45° C

### Photometric Data

LED type:	OSRAM RGB 3-in-1 LEDs	
Luminous flux:	red	230 Lumen
	green	500 Lumen
	blue	150 Lumen
	r+g+b (white)	870 Lumen
Wave length:	red	620 nm
	green	524 nm
	blue	467 nm
Beam angle:	25°	



### Product Type

IES is available

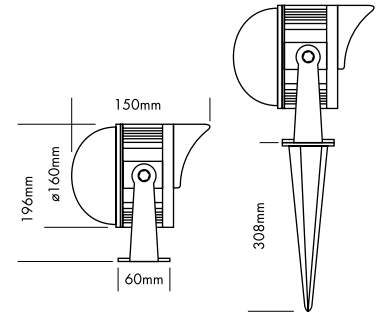
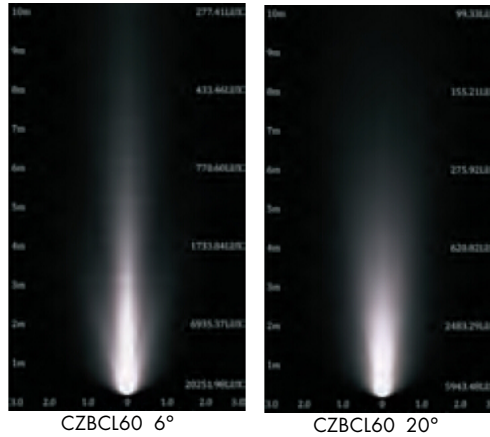


order code	colour	LED pcs	LED power	Power consumption*	weight
CZBCLR	RGB	12	24 Watt	35-37 Watt	2,3 kg

Actual power consumption



## SPOT LIGHT IP65 12x 2 Watt MONO



IASPL OD SPOTLIGHT MONO is suitable for emphasis lighting indoors as well as outdoors. Combined with a ground spike it is also perfect for plant and garden lighting.

- dimmable or DMX 512, DALI, 1-10 V controllable by IASPL RGBW MULTI power supplies/controller

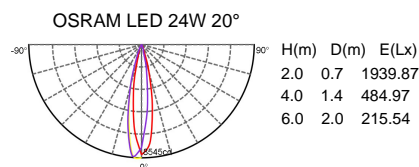
### Technical Data

IP classification:	IP65 (for outdoor use)
Power source:	24 VDC
Housing:	powder coated aluminium grey
Electrical connection:	1x cable 2 m H05RN-F 2x 1,0 mm <sup>2</sup> with 2-PIN IP68 connector male
Operating temperature range:	-10° C till +45° C



### Photometric Data

LED type:	OSRAM 2 Watt high power	
Luminous flux:	white	2000 Lumen per m
	warm white	1400 Lumen per m
Colour temperature:	white	5500-6500 K
	warm white	2700-3500 K
CRI:	white	70+
	warm white	80+
Beam angle:	6° and 20°	



### Product Type

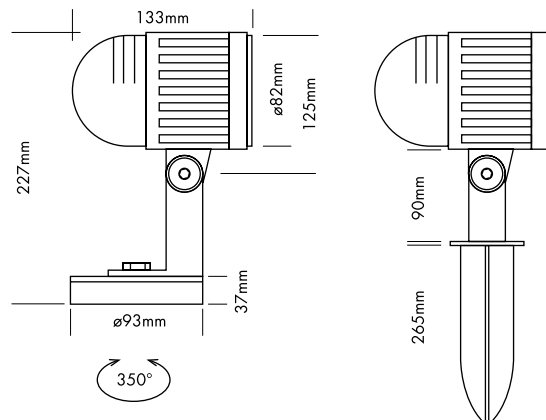
IES is available

order code	colour	beam angle	LED pcs	LED power	Power consumption*	weight
CZBCL60	white	6°	12	24 Watt	24-25 Watt	2,3 kg
CZBCL60	white	20°	12	24 Watt	24-25 Watt	2,3 kg
CZBCL30	warm white	6°	12	24 Watt	24-25 Watt	2,3 kg
CZBCL30	warm white	20°	12	24 Watt	24-25 Watt	2,3 kg

Actual power consumption



## SPOT LIGHT IP65 5x 2 Watt TRILED RGB



IASPL OD SPOTLIGHT TRILED is suitable for emphasis lighting indoors as well as outdoors. Combined with a ground spike it is also perfect for plant and garden lighting.

• dimmable, autom. colour change, DMX 512, DALI, 1-10 V controllable by IASPL RGBW MULTI power supplies/controller



### Technical Data

IP classification:	IP65 (for outdoor use)
Power source:	24 VDC Common Cathode (CC)
Housing:	powder coated aluminium black
Electrical connection:	1x cable 2 m H05RN-F 4x 0,75 mm <sup>2</sup> with 4-PIN IP68 connector male
Operating temperature range:	-10° C till +45° C

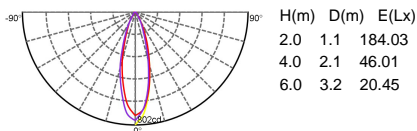


### Photometric Data

LED type:	OSRAM RGB 3-in-1 LEDs		
Luminous flux:	red	85 Lumen	
	green	145 Lumen	
	blue	40 Lumen	
	r+g+b (white)	265 Lumen	
Wave length:	red	621 nm	
	green	524 nm	
	blue	471 nm	
Beam angle:	30°		



### OSRAM LED 10W 30°



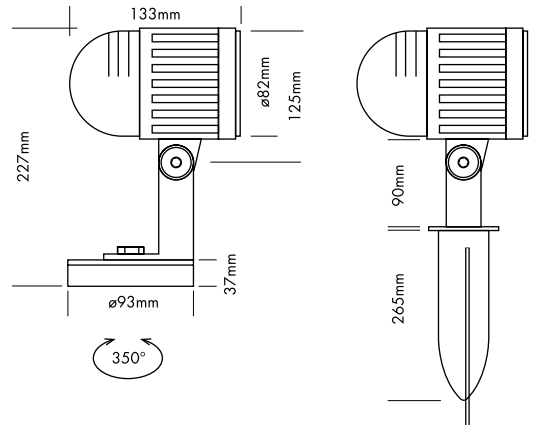
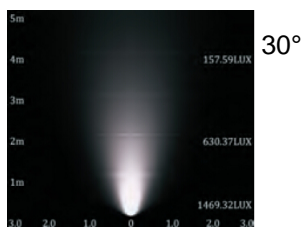
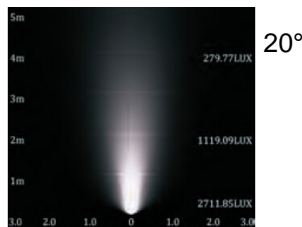
### Product Type

IES is available

order code	colour	LED pcs	LED power	Power consumption*	weight
CZBCER	RGB	5	10 Watt	10-12 Watt	1,5 kg
CZBDER	RGB	5	10 Watt	10-12 Watt	1,5 kg

Actual power consumption

## SPOT LIGHT IP65 5x 2 Watt MONO



IASPL OD SPOTLIGHT MONO is suitable for emphasis lighting indoors as well as outdoors. Combined with a ground spike it is also perfect for plant and garden lighting.

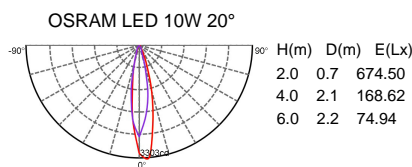
- dimmable or DMX 512, DALI, 1-10 V controllable by IASPL RGBW MONO power supplies/controller

### Technical Data

IP classification:	IP65 (for outdoor use)
Power source:	24 VDC
Housing:	powder coated aluminium black
Electrical connection:	1x cable 2 m H05RN-F 2x 1,0 mm <sup>2</sup> with 2-PIN IP68 connector male
Operating temperature range:	-10° C till +45° C

### Photometric Data

LED type:	OSRAM 2 Watt high power		
Luminous flux:	white	360	Lumen per m
	warm white	330	Lumen per m
Colour temperature:	white	5500-6500 K	
	warm white	2700-3500 K	
CRI:	white	70+	
	warm white	70+	
Beam angle:	6° 13° 20° 30°		



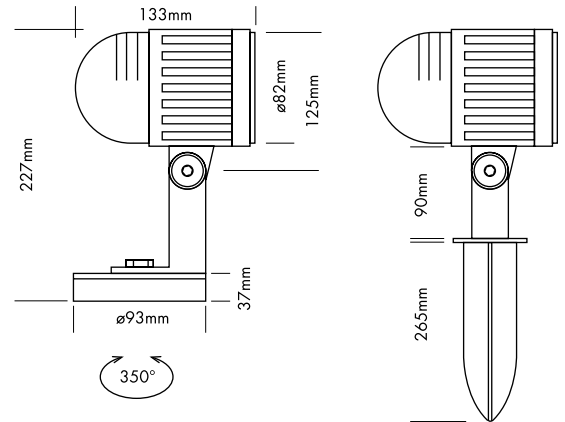
### Product Type

IES is available

order code	colour	beam angle	LED pcs	LED power	Power consumption*	weight
CZBCE60	white	20°	5	10 Watt	10-12 Watt	1,5 kg
CZBDE60	white	20°	5	10 Watt	10-12 Watt	1,5 kg
CZBCE30	warm white	20°	5	10 Watt	10-12 Watt	1,5 kg
CZBDE60	warm white	20°	5	10 Watt	10-12 Watt	1,5 kg

Actual power consumption

## SPOT LIGHT IP65 COB10 MONO



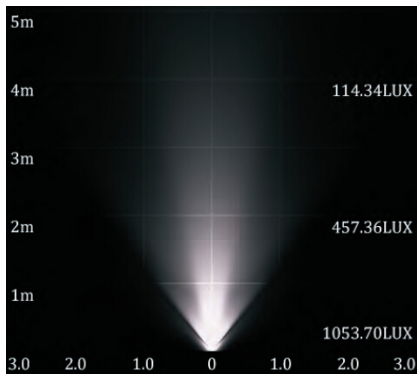
IASPL SPOTLIGHT COB10 is suitable for emphasis lighting indoors as well as outdoors. Combined with a ground spike it is also perfect for plant and garden lighting.

- dimmable or DMX 512, DALI, 1-10 V controllable by IASPL RGBW MULTI power supplies/controller



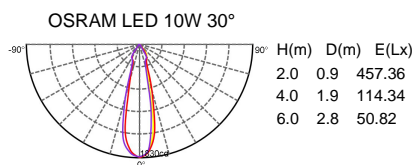
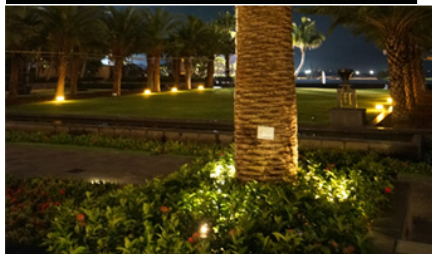
### Technical Data

IP classification:	IP65 (for outdoor use)
Power source:	24 VDC
Housing:	powder coated aluminium grey
Electrical connection:	1x cable 2 m H05RN-F 2x 1,0 mm <sup>2</sup> with 2-PIN IP68 connector male
Operating temperature range:	-10° C till +45° C



### Photometric Data

LED type:	OSRAM COB 10 Watt		
Luminous flux:	white	700	Lumen per m
	warm white	600	Lumen per m
Colour temperature:	white	5000-6000 K	
	warm white	2700-3500 K	
CRI:	white	80+	
	warm white	80+	
Beam angle:	30°		



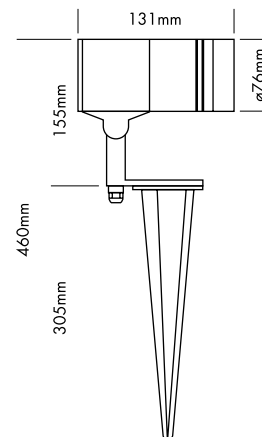
### Product Type

IES is available

order code	colour	beam angle	LED pcs	LED power	Power consumption*	weight
CZBDOA1060	white	30°	1	10 Watt	10-12 Watt	1,5 kg
CZBCOA1060	white	30°	1	10 Watt	10-12 Watt	1,5 kg
CZBDOA1030	warm white	30°	1	10 Watt	10-12 Watt	1,5 kg
CZBCOA1030	warm white	30°	1	10 Watt	10-12 Watt	1,5 kg

Actual power consumption

## SPOT LIGHT IP65 GARDEN RGBW



IASPL GARDEN SPOT RGBW is suitable for plant and garden lighting. Because of the RGBW high power LEDs (8 Watt) the spot offers homogeneous colormixing and clean natural white.

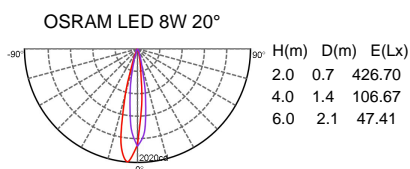
- dimmable, autom. colour change, DMX 512, DALI, 1-10 V controllable by IASPL RGBW MULTI power supplies/controller
- incl. ground spike

### Technical Data

IP classification:	IP65 (for outdoor use)
Power source:	24 VDC Common Cathode (CC)
Housing:	powder coated aluminium grey
Electrical connection:	1x cable 0.5 m H05RN-F 5x 0.5 mm <sup>2</sup> with 7-PIN IP68 connector male
Operating temperature range:	-10° C till +45° C

### Photometric Data

LED type:	OSRAM RGBW module		
Luminous flux:	red	50 Lumen	
	green	80 Lumen	
	blue	15 Lumen	
	white	90 Lumen	
	r+g+b+w	230 Lumen	
Wave length:	red	621 nm	
	green	525 nm	
	blue	460 nm	
Colour temperature:	white	5000-6500 K	
Beam angle:	25°		



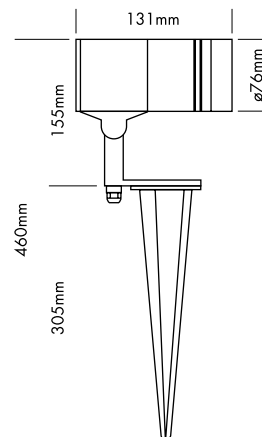
### Product Type

IES is available

order code	colour	LED pcs	LED power	Power consumption*	weight
CZXCARW	RGBW	1	8 Watt	7-8 Watt	0.9 kg

Actual power consumption

## SPOT LIGHT IP65 GARDEN COB8 MONO



IASPL GARDEN SPOT COB8 MONO is suitable for plant and garden lighting.

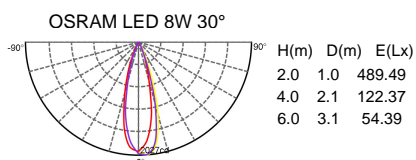
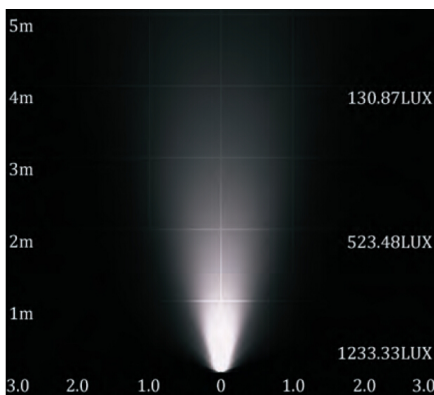
- dimmable or DMX 512, DALI, 1-10 V controllable by IASPL RGBW MULTI power supplies/controller
- incl. ground spike

### Technical Data

IP classification:	IP65 (for outdoor use)
Power source:	24 VDC
Housing:	powder coated aluminium black
Electrical connection:	1x cable 0,5 m H05RN-F 2x 1,0 mm <sup>2</sup> with 2-PIN IP68 connector male
Operating temperature range:	-10° C till +45° C

### Photometric Data

LED type:	OSRAM COB 8Watt	
Luminous flux:	white	660 Lumen
	warm white	600 Lumen
Colour temperature:	white	5500-6500 K
	warm white	2700-3500 K
CRI:	white	80+
	warm white	80+
Beam angle:	30°	



### Product Type

IES is available

order code	colour	Beam angel	LED pcs	LED power	Power consumption*	weight
CZXCOA60	white	30°	1	8 Watt	9-10 Watt	0.9 kg
CZXCOA30	warm white	30°	1	8 Watt	9-10 Watt	0.9 kg

Actual power consumption