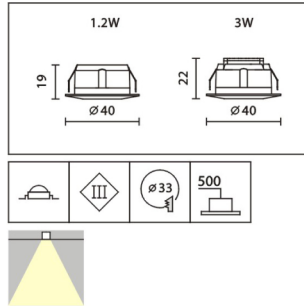


# **Illuminating Asia**

2014-2015 CATALOG

## DISPLAY CASE LIGHTS



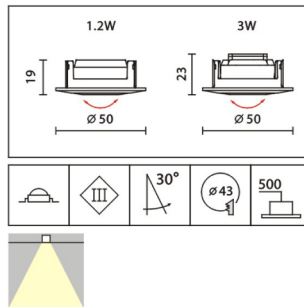
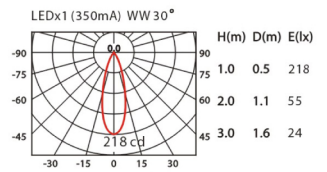
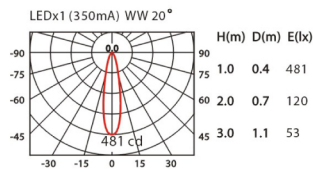
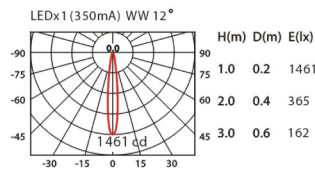
1Z-E01N

### Technical Data

IP classification:	IP20
Power source:	constant current 350MA/700MA
Housing:	white, black, silver grey
Driver:	including
Input voltage:	100-240VAC
Operating temperature range:	-10° C till +45° C
Dimmable:	yes

### Photometric Data

LED:	OSRAM LED(LEDx1)
Colour temperature:	neutral white 4000-4500 K warm white 2700-3200 K cool white 6000-6500 K
CRI:	neutral white 80+ warm white 80+ cool white 80+
Beam angle:	12° 20° 30°



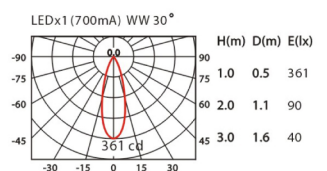
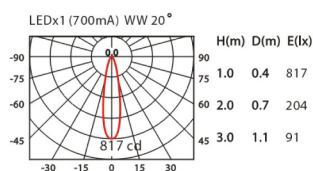
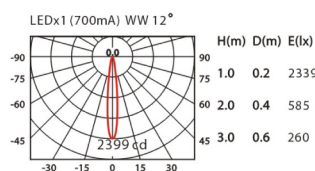
1Z-E01T

### Technical Data

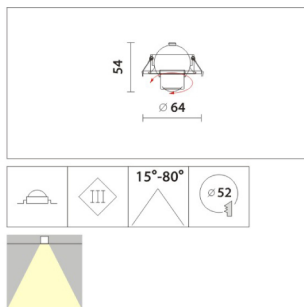
IP classification:	IP20
Power source:	constant current 350MA/700MA
Housing:	white, black, silver grey
Driver:	including
Input voltage:	100-240VAC
Operating temperature range:	-10° C till +45° C
Dimmable:	yes

### Photometric Data

LED:	OSRAM LED(LEDx1)
Colour temperature:	neutral white 4000-4500 K warm white 2700-3200 K cool white 6000-6500 K
CRI:	neutral white 80+ warm white 80+ cool white 80+
Beam angle:	12° 20° 30°



## DISPLAY CASE LIGHTS



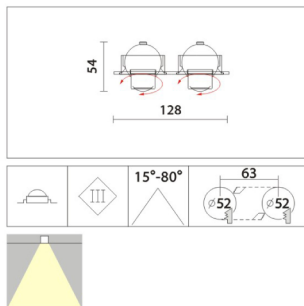
1Z-301

### Technical Data

IP classification:	IP20
Power source:	constant current 350MA
Housing:	white, black, silver grey
Driver:	including
Input voltage:	100-240VAC
Operating temperature range:	-10° C till +45° C
Dimmable:	yes

### Photometric Data

LED:	OSRAM LED(LEDx1)
Colour temperature:	neutral white 4000-4500 K warm white 2700-3200 K cool white 6000-6500 K
CRI:	neutral white 80+ warm white 80+ cool white 80+
Beam angle:	15° 80°



1Z-302

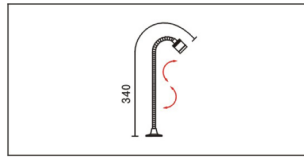
### Technical Data

IP classification:	IP20
Power source:	constant current 350MA
Housing:	white, black, silver grey
Driver:	including
Input voltage:	100-240VAC
Operating temperature range:	-10° C till +45° C
Dimmable:	yes

### Photometric Data

LED:	OSRAM LED(LEDx1)x2
Colour temperature:	neutral white 4000-4500 K warm white 2700-3200 K cool white 6000-6500 K
CRI:	neutral white 80+ warm white 80+ cool white 80+
Beam angle:	15° 80°

## DISPLAY CASE LIGHTS



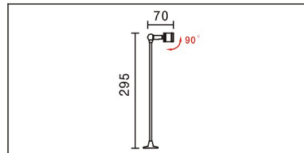
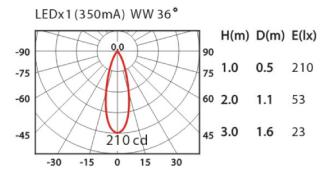
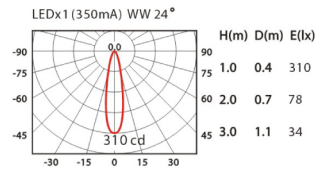
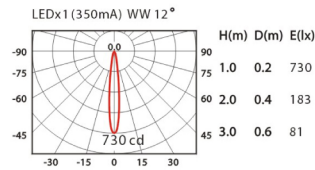
19LD-3001

### Technical Data

IP classification:	IP20
Power source:	constant current 350mA
Housing:	white, black, silver grey
Driver:	including
Input voltage:	100-240VAC
Operating temperature range:	-10° C till +45° C
Dimmable:	yes

### Photometric Data

LED:	OSRAM LED(LEDx1)
Colour temperature:	neutral white 4000-4500 K warm white 2700-3200 K cool white 6000-6500 K
CRI:	neutral white 80+ warm white 80+ cool white 80+
Beam angle:	12° 24° 36°



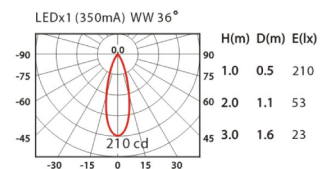
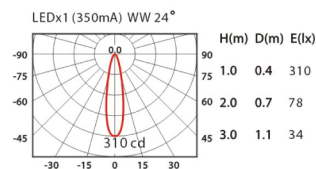
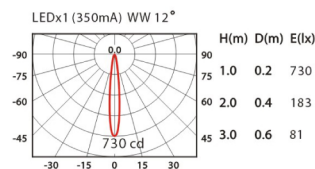
19LD-3002

### Technical Data

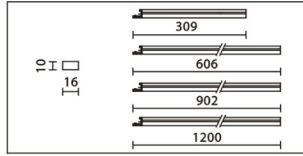
IP classification:	IP20
Power source:	constant current 350mA
Housing:	white, black, silver grey
Driver:	including
Input voltage:	100-240VAC
Operating temperature range:	-10° C till +45° C
Dimmable:	yes

### Photometric Data

LED:	OSRAM LED(LEDx1)
Colour temperature:	neutral white 4000-4500 K warm white 2700-3200 K cool white 6000-6500 K
CRI:	neutral white 80+ warm white 80+ cool white 80+
Beam angle:	12° 24° 36°



## DISPLAY CASE LIGHTS



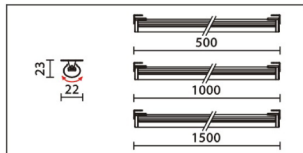
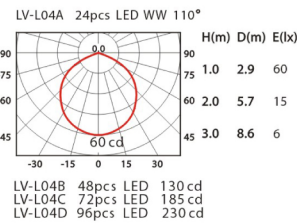
22L-309  
22L-606  
22L-902  
22L-1200

### Technical Data

IP classification:	IP20
Power source:	constant voltage
Housing:	Anodize
Driver:	choose according to installation length
Input voltage:	24 VDC
Operating temperature range:	-10° C till +45° C
Dimmable:	yes

### Photometric Data

LED:	OSRAM LED(LEDx0.06)
Colour temperature:	neutral white 4000-4500 K warm white 2700-3200 K cool white 6000-6500 K
CRI:	neutral white 80+ warm white 80+ cool white 80+
Beam angle:	110°



22L-06-500  
22L-06-1000  
22L-06-1500

### Technical Data

IP classification:	IP20
Power source:	constant voltage
Housing:	Anodize
Driver:	choose according to installation length
Input voltage:	24 VDC
Operating temperature range:	-10° C till +45° C
Dimmable:	yes

### Photometric Data

LED:	OSRAM LED(LEDx0.06)
Colour temperature:	neutral white 4000-4500 K warm white 2700-3200 K cool white 6000-6500 K
CRI:	neutral white 80+ warm white 80+ cool white 80+
Beam angle:	100°

