

# Kratos Series LED Bulbs



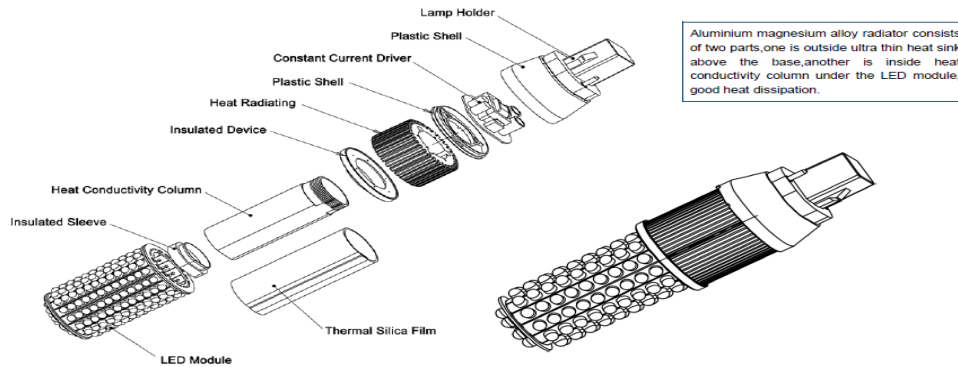
360° All round lighting/ Affordable / No Re-wiring/ Genuine



Model. 产品型号	Power 功率 [w]	Voltage 电压 AC [v]	Beam Angle 发光角度	Lumen 流明 [lm]	CCT 色温 [K]	CRI 显色指数	Dimensions 灯具尺寸 [mm]	Net Weight 重量 [g]
KLB-4w	4w ± 10%	100 - 240	360°	>450	2700-6500	80	Ø34*110	120
KLB-5w	5w ± 10%	100 - 240	360°	>650	2700-6500	80	Ø34*129	140
KLB-7w	7w ± 10%	100 - 240	360°	>800	2700-6500	80	Ø34*140	150
KLB-9w	9w ± 10%	100 - 240	360°	>900	2700-6500	80	Ø34*164	160
KLB-11w	11w ± 10%	100 - 240	360°	>1100	2700-6500	80	Ø47*135	180

\*W(Warm: 2700 - 3000K) WW(Warm white: 3000 - 3500K), CW(Cool white 4000 - 4500K), DL(Daylight: 6000 - 6500K)

\* Available in PLC or E27 Base (Type of colour and bulbs' base does not affect prices)



## Product Introduction 产品介绍

Kratos LED corn bulb is definitely the best LED bulb replacement for energy savings CFLs. The top grade 360° all round LED light bulb in Singapore; anyone can replace CFL with Kratos LED bulb directly without any re-wiring. The use of high quality Epistar LED chipset and driver; results in longer life span, consistent colour tone and low light decay for the LED bulb. The bulbs' body is made with high quality materials to maximize durability and safety for users. For similar brightness to a CFL, one can chose half the power in Kratos (e.g. Osram 11w or 13w can be replaced with our 5w or 7w Kratos bulb). The break even period is expected to be between 9 to 14 months for 8 hours to 16 hours operation per day. Presently, it has a physical track record of >4 years and counting without failure!

## Features 产品特点

- 360° all round lighting, Consistent colour tone, A Reliable Durable and Safe luminaire;
- Can be used with existing magnetic ballast; no re-wiring required;
- The useful life can be 25,000 hours; Lifespan is 15 times longer than CFLs;
- Similar brightness at half the electricity consumption as compared to CFLs;
- Strong heat dissipation with advanced customised heat sink design.

